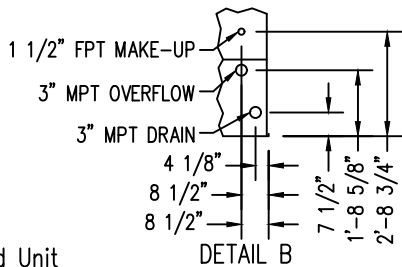
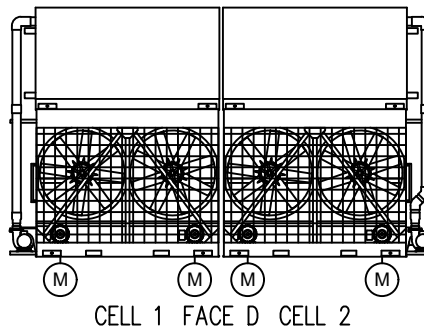
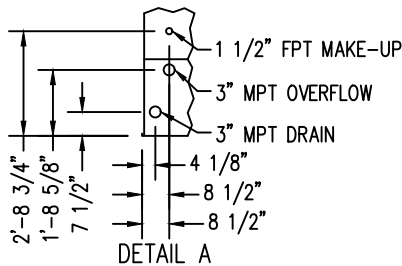
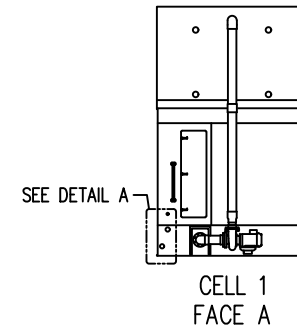
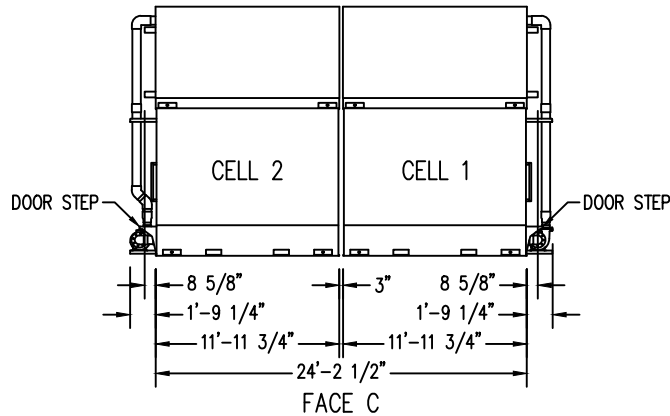
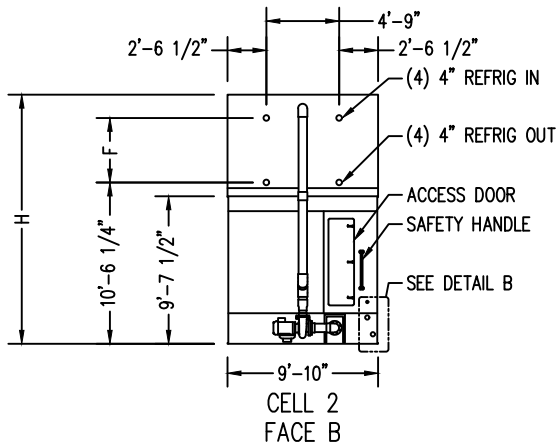
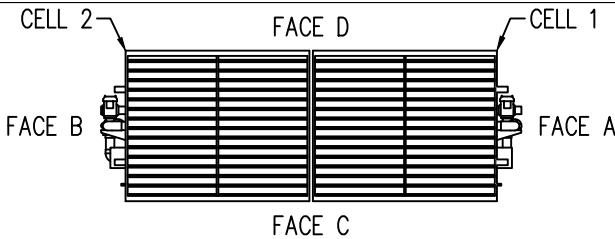


Notes

- 1) Drawings are not to scale.
- 2) Dimensions are in feet and inches. Weights are in pounds and include options and accessories.
- 3) Unless otherwise indicated, connections 3" and smaller are MPT.
- 4) Dimensions showing location of coil & basin connections are approximate and should not be used for prefabrication of connecting piping.
- 5) For weight loadings and support requirements, refer to suggested steel support drawing.
- 6) Area above the air discharge must be unobstructed.
- 7) Field piping must not be supported by the unit inlet or outlet connections.
- 8) For belt drive units, M = Motor location, M1 = Large Motor Location, M2 = Small Motor Location.



MODEL NO.	APPROX. SHIPPING WEIGHT	APPROX. OPERATING WEIGHT	HEAVIEST SECTION (COIL)	F	H
VRC-0470B-1024N-JA	25680	34360	6640	3'-7 1/16"	15'-7 11/16"
VRC-0484B-1024N-HA	27220	36070	7530	3'-7 1/16"	15'-7 11/16"
VRC-0533B-1024N-JA	27470	36320	7530	3'-7 1/16"	15'-7 11/16"
VRC-0571B-1024N-KA	27570	36410	7530	3'-7 1/16"	15'-7 11/16"
VRC-0609B-1024N-KA	31340	40360	9420	4'-10 1/16"	16'-10 11/16"
VRC-0672B-1024N-LA	31990	41010	9420	4'-10 1/16"	16'-10 11/16"
VRC-0615B-1024N-JA	32810	41980	10200	4'-10 1/16"	16'-10 11/16"
VRC-0659B-1024N-KA	32900	42070	10200	4'-10 1/16"	16'-10 11/16"
VRC-0727B-1024N-LA	33550	42720	10200	4'-10 1/16"	16'-10 11/16"

Right & Left Hand Unit

ORDER NO:

DATE:



**BALTIMORE
AIRCOIL COMPANY**

**Vertex™ Evaporative Condenser
10x24 Two Cell Unit Print**

DRAWING NUMBER: