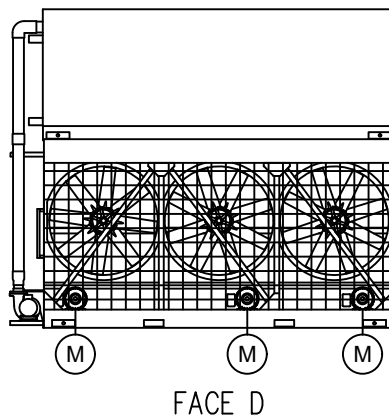
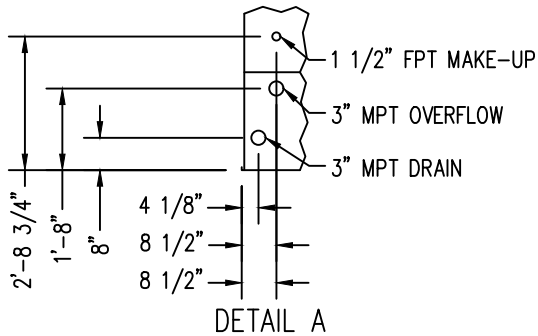
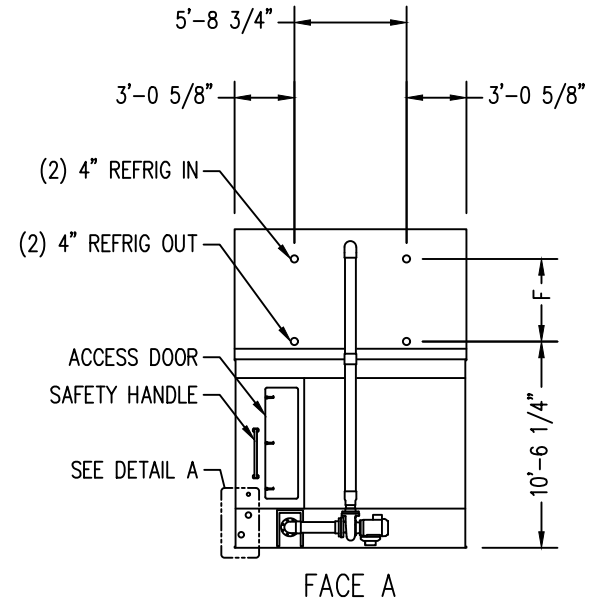
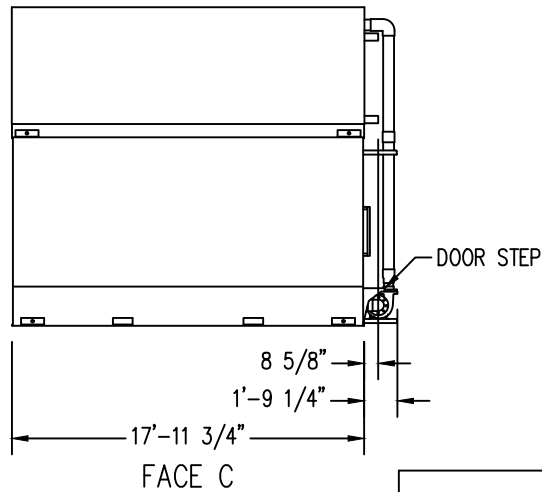
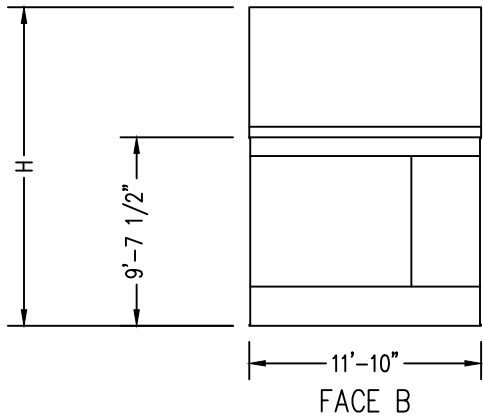
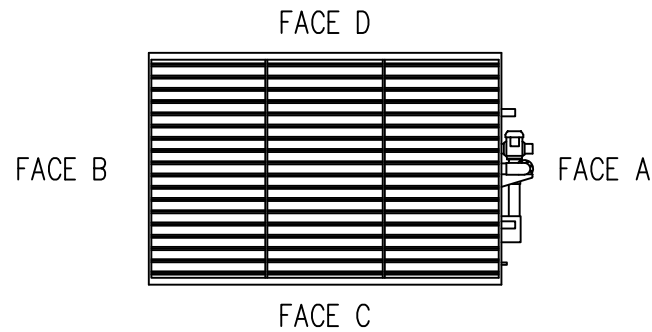


Notes

- 1) Drawings are not to scale.
- 2) Dimensions are in feet and inches. Weights are in pounds and include options and accessories.
- 3) Unless otherwise indicated, connections 3" and smaller are MPT.
- 4) Dimensions showing location of coil & basin connections are approximate and should not be used for prefabrication of connecting piping.
- 5) For weight loadings and support requirements, refer to suggested steel support drawing.
- 6) Area above the air discharge must be unobstructed.
- 7) Field piping must not be supported by the unit inlet or outlet connections.
- 8) For belt drive units, M = Motor location, M1 = Large Motor Location, M2 = Small Motor Location.



MODEL NO.	APPROX. SHIPPING WEIGHT	APPROX. OPERATING WEIGHT	HEAVIEST SECTION (COIL)	F	H
VRC-0374B-1218N-HA	19830	26860	11120	3'-7 1/16"	15'-7 11/16"
VRC-0413B-1218N-JA	20010	27050	11120	3'-7 1/16"	15'-7 11/16"
VRC-0442B-1218N-KA	20090	27120	11120	3'-7 1/16"	15'-7 11/16"
VRC-0414B-1218N-HA	21480	28680	12770	3'-7 1/16"	15'-7 11/16"
VRC-0456B-1218N-JA	21670	28870	12770	3'-7 1/16"	15'-7 11/16"
VRC-0489B-1218N-KA	21740	28940	12770	3'-7 1/16"	15'-7 11/16"
VRC-0533B-1218N-KA	24460	31830	15490	4'-10 1/16"	16'-10 11/16"
VRC-0587B-1218N-LA	24940	32310	15490	4'-10 1/16"	16'-10 11/16"
VRC-0630B-1218N-MA	25130	32500	15490	4'-10 1/16"	16'-10 11/16"
VRC-0636B-1218N-LA	26400	33900	16940	4'-10 1/16"	16'-10 11/16"
VRC-0680B-1218N-MA	26580	34090	16940	4'-10 1/16"	16'-10 11/16"
VRC-0717B-1218N-NA	26700	34210	16940	4'-10 1/16"	16'-10 11/16"

Right Hand Unit

ORDER NO:

DATE:



**BALTIMORE AIRCOIL COMPANY**

**Vertex™ Evaporative Condenser  
Single Cell Unit Print**

DRAWING NUMBER: