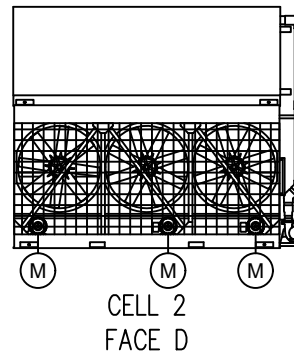
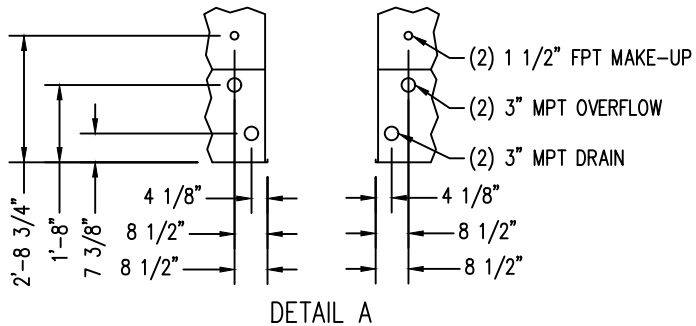
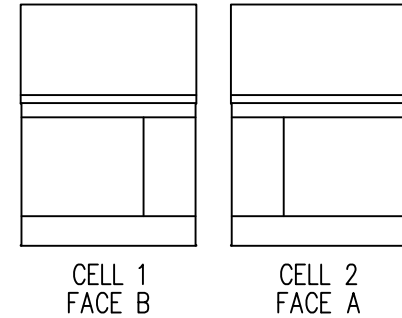
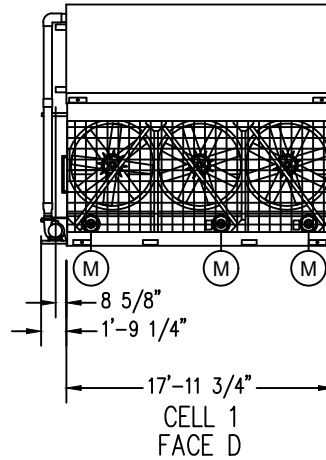
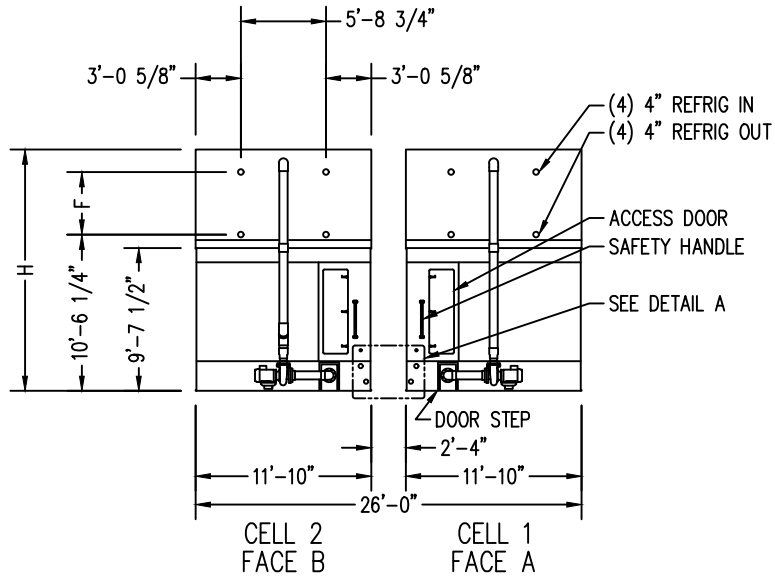
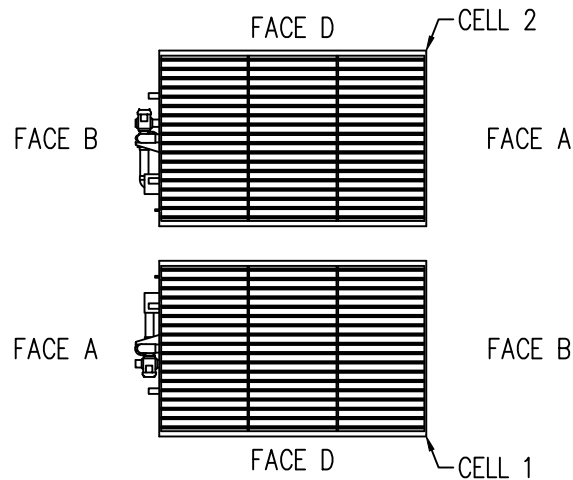


- Notes
- 1) Drawings are not to scale.
 - 2) Dimensions are in feet and inches. Weights are in pounds and include options and accessories.
 - 3) Unless otherwise indicated, connections 3" and smaller are MPT.
 - 4) Dimensions showing location of coil & basin connections are approximate and should not be used for prefabrication of connecting piping.
 - 5) For weight loadings and support requirements, refer to suggested steel support drawing.
 - 6) Area above the air discharge must be unobstructed.
 - 7) Field piping must not be supported by the unit inlet or outlet connections.
 - 8) For belt drive units, M = Motor location, M1 = Large Motor Location, M2 = Small Motor Location.



MODEL NO.	APPROX. SHIPPING WEIGHT	APPROX. OPERATING WEIGHT	HEAVIEST SECTION (COIL)	F	H
VRC-0661B-2418N-GA	39660	53730	11120	3'-7 1/16"	15'-7 11/16"
VRC-0747B-2418N-HA	39650	53720	11120	3'-7 1/16"	15'-7 11/16"
VRC-0825B-2418N-JA	40030	54100	11120	3'-7 1/16"	15'-7 11/16"
VRC-0885B-2418N-KA	40170	54240	11120	3'-7 1/16"	15'-7 11/16"
VRC-0912B-2418N-JA	43340	57730	12770	3'-7 1/16"	15'-7 11/16"
VRC-0977B-2418N-KA	43480	57880	12770	3'-7 1/16"	15'-7 11/16"
VRC-1065B-2418N-KA	48910	63650	15490	4'-10 1/16"	16'-10 11/16"
VRC-1175B-2418N-LA	49890	64620	15490	4'-10 1/16"	16'-10 11/16"
VRC-1260B-2418N-MA	50260	65000	15490	4'-10 1/16"	16'-10 11/16"
VRC-1271B-2418N-LA	52790	67810	16940	4'-10 1/16"	16'-10 11/16"
VRC-1359B-2418N-MA	53160	68180	16940	4'-10 1/16"	16'-10 11/16"
VRC-1434B-2418N-NA	53400	68420	16940	4'-10 1/16"	16'-10 11/16"

Right & Left Hand Unit

ORDER NO:

DATE:



BALTIMORE AIRCOIL COMPANY

**Vertex™ Evaporative Condenser
24x18 Two Cell Unit Print**

DRAWING NUMBER: