

PT2 Engineering Data

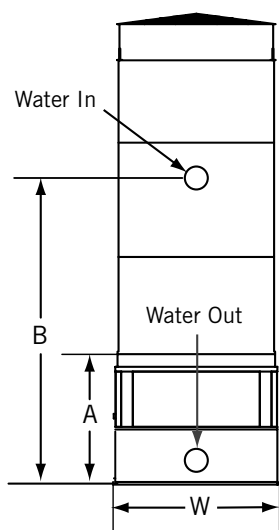
Performance Data

Model Number ⁽¹⁾	Airflow Per Cell (CFM)	1 Cell		2 Cell: PT2-XXXXA-XX ⁽²⁾		2 Cell: PT2-1218A-XX ⁽²⁾		3 Cell		4 Cell	
		Nominal Tonnage ⁽³⁾	Motor Qty. and HP	Nominal Tonnage ⁽³⁾	Motor Qty. and HP	Nominal Tonnage ⁽³⁾	Motor Qty. and HP	Nominal Tonnage ⁽³⁾	Motor Qty. and HP	Nominal Tonnage ⁽³⁾	Motor Qty. and HP
PT2-0412A-1H*	34,122	122	(2) 5	—	—	—	—	—	—	—	—
PT2-0412A-2J*	35,948	154	(2) 7.5	—	—	—	—	—	—	—	—
PT2-0412A-3J*	37,034	158	(2) 7.5	—	—	—	—	—	—	—	—
PT2-0412A-4J*	34,075	164	(2) 7.5	—	—	—	—	—	—	—	—
PT2-0709A-1K*	44,445	159	(1) 10	324	(2) 10	—	—	494	(3) 10	—	—
PT2-0709A-2L*	46,604	199	(1) 15	404	(2) 15	—	—	614	(3) 15	—	—
PT2-0709A-3L*	43,515	210	(1) 15	425	(2) 15	—	—	644	(3) 15	—	—
PT2-0709A-4L*	44,385	214	(1) 15	430	(2) 15	—	—	649	(3) 15	—	—
PT2-0709A-5L*	43,465	223	(1) 15	447	(2) 15	—	—	674	(3) 15	—	—
PT2-0809A-1L*	55,343	198	(1) 15	403	(2) 15	—	—	615	(3) 15	—	—
PT2-0809A-2L*	52,390	224	(1) 15	455	(2) 15	—	—	692	(3) 15	—	—
PT2-0809A-3M*	53,368	258	(1) 20	522	(2) 20	—	—	792	(3) 20	—	—
PT2-0809A-4M*	54,705	264	(1) 20	530	(2) 20	—	—	801	(3) 20	—	—
PT2-0809A-5M*	53,040	272	(1) 20	546	(2) 20	—	—	824	(3) 20	—	—
PT2-0812A-1M*	76,747	274	(1) 20	556	(2) 20	—	—	847	(3) 20	—	—
PT2-0812A-2N*	76,224	326	(1) 25	659	(2) 25	—	—	1,000	(3) 25	—	—
PT2-0812A-3O*	74,937	362	(1) 30	731	(2) 30	—	—	1,106	(3) 30	—	—
PT2-0812A-4O*	76,436	369	(1) 30	743	(2) 30	—	—	1,118	(3) 30	—	—
PT2-0812A-5O*	74,109	380	(1) 30	764	(2) 30	—	—	1,150	(3) 30	—	—
PT2-0814-1N*	90,036	321	(1) 25	654	(2) 25	—	—	996	(3) 25	—	—
PT2-0814-2O*	88,909	380	(1) 30	770	(2) 30	—	—	1,169	(3) 30	—	—
PT2-0814-3O*	83,063	401	(1) 30	812	(2) 30	—	—	1,229	(3) 30	—	—
PT2-0814-4O*	85,135	411	(1) 30	828	(2) 30	—	—	1,247	(3) 30	—	—
PT2-0814-5O*	82,544	423	(1) 30	852	(2) 30	—	—	1,283	(3) 30	—	—
PT2-1009A-1L*	63,129	225	(1) 15	454	(2) 15	—	—	690	(3) 15	916	"(4) 15
PT2-1009A-2M*	63,391	271	(1) 20	544	(2) 20	—	—	825	(3) 20	1,097	(4) 20
PT2-1009A-3N*	62,372	301	(1) 25	605	(2) 25	—	—	915	(3) 25	1,217	(4) 25
PT2-1009A-4N*	63,619	307	(1) 25	617	(2) 25	—	—	928	(3) 25	1,233	(4) 25
PT2-1009A-5N*	62,299	319	(1) 25	641	(2) 25	—	—	965	(3) 25	1,282	(4) 25
PT2-1012A-1O*	93,334	333	(1) 30	672	(2) 30	—	—	1,020	"(3) 30	1,345	(4) 30
PT2-1012A-2O*	86,182	368	(1) 30	741	(2) 30	—	—	1,123	(3) 30	1,483	(4) 30
PT2-1012A-3P*	87,973	425	(1) 40	854	(2) 40	—	—	1,291	(3) 40	1,709	(4) 40
PT2-1012A-4P*	89,733	433	(1) 40	867	(2) 40	—	—	1,306	(3) 40	1,732	(4) 40
PT2-1012A-5P*	87,697	450	(1) 40	900	(2) 40	—	—	1,355	(3) 40	1,797	(4) 40
PT2-1212A-1O*	107,028	382	(1) 30	764	(2) 30	—	—	1,157	(3) 30	1,528	"(4) 30
PT2-1212A-2O*	102,182	436	(1) 30	873	(2) 30	—	—	1,319	(3) 30	1,746	(4) 30
PT2-1212A-3P*	104,022	502	(1) 40	1,004	(2) 40	—	—	1,516	(3) 40	2,008	(4) 40
PT2-1212A-4P*	106,102	512	(1) 40	1,022	(2) 40	—	—	1,537	(3) 40	2,037	(4) 40
PT2-1212A-5P*	103,901	533	(1) 40	1,064	(2) 40	—	—	1,598	(3) 40	2,120	(4) 40
PT2-1214A-1O*	118,249	422	(1) 30	847	(2) 30	—	—	1,283	(3) 30	1,688	(4) 30
PT2-1214A-2P*	121,725	520	(1) 40	1,042	(2) 40	—	—	1,577	(3) 40	2,080	(4) 40
PT2-1214A-3P*	115,482	557	(1) 40	1,117	(2) 40	—	—	1,687	(3) 40	2,230	(4) 40
PT2-1214A-4P*	117,791	569	(1) 40	1,136	(2) 40	—	—	1,708	(3) 40	2,260	(4) 40
PT2-1214A-5P*	114,206	585	(1) 40	1,170	(2) 40	—	—	1,759	(3) 40	2,329	(4) 40
PT2-1218A-1P*	154,158	550	(1) 40	1,104	(2) 40	1,099	(2) 40	1,659	(3) 40	2,160	(4) 40
PT2-1218A-2Q*	157,768	674	(1) 50	1,351	(2) 50	1,347	(2) 50	2,030	(3) 50	2,655	(4) 50
PT2-1218A-3S ^{*(4)}	163,078	787	(2) 35	1,578	(4) 35	1,574	(4) 35	2,370	(6) 35	3,111	(8) 35
PT2-1218A-4S ^{*(4)}	166,340	803	(2) 35	1,608	(4) 35	1,611	(4) 35	2,422	(6) 35	3,190	(8) 35
PT2-1218A-5S ^{*(4)}	161,276	827	(2) 35	1,656	(4) 35	1,659	(4) 35	2,493	(6) 35	3,287	(8) 35

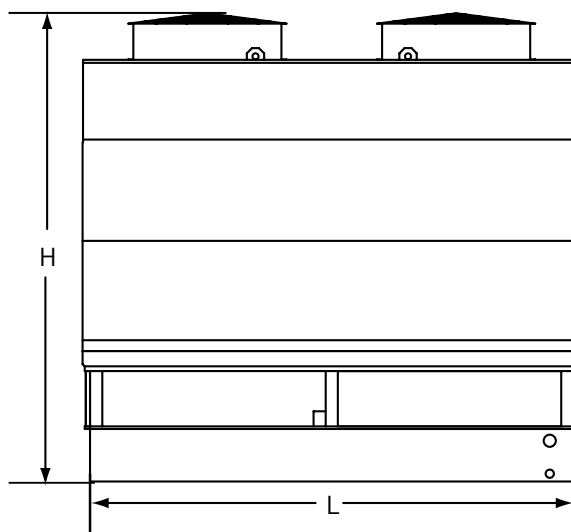
**NOTES:**

- * in Model Number above indicates number of cells.
- For a plan view of Models PT2-1218A-**2 and PT2-1218A-**T, see [page C66](#).
- Nominal tons of cooling represents 3 USGPM of water from 95°F to 85°F at a 78°F entering wet-bulb temperature.
- For PT2-1218A-*S* models, two fans are standard.
- The cell will have a brake horsepower of 25 HP.
- Up-to-date engineering data, free product selection software, and more can be found at www.BaltimoreAircoil.com.

Dimensional Data



Face A: Models PT2-0412A



Single Cell Face C: Models PT2-0412A

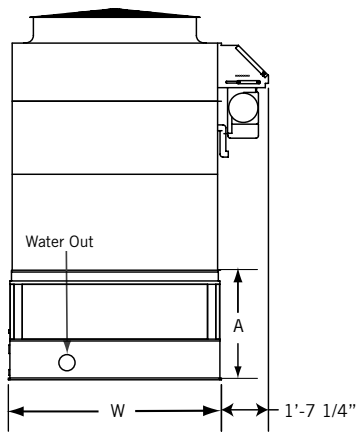
Model Number ⁽¹⁾	Nominal Weights (lbs)			Dimensions					
	Operating ⁽²⁾	Shipping	Heaviest Section	L	W	H	A	B	F
PT2-0412A-1*1	5,490	3,060	2,290	12'-0"	4'-0"	10'-1"	3'-3"	6'-5"	—
PT2-0412A-2*1	5,830	3,400	2,630	12'-0"	4'-0"	11'-1"	3'-3"	7'-5"	—
PT2-0412A-3*1	6,503	3,953	2,785	12'-0"	4'-0"	12'-0"	4'-2"	8'-4"	—
PT2-0412A-4*1	6,743	4,193	3,025	12'-0"	4'-0"	13'-0"	4'-2"	9'-4"	—

**NOTES:**

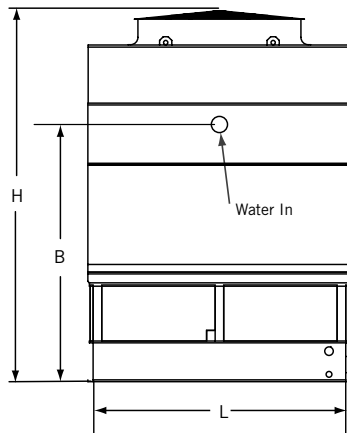
- Data corresponds to all available motors for this model.
- Operating weight is based on the water level in the cold water basin at overflow height. If a lower operating weight is needed to meet design requirements, your local BAC Representative can provide additional assistance.

Do not use for construction. Refer to factory certified dimensions. This catalog includes data current at the time of publication, which should be reconfirmed at the time of purchase. Up-to-date engineering data, free product selection software, and more can be found at BaltimoreAircoil.com.

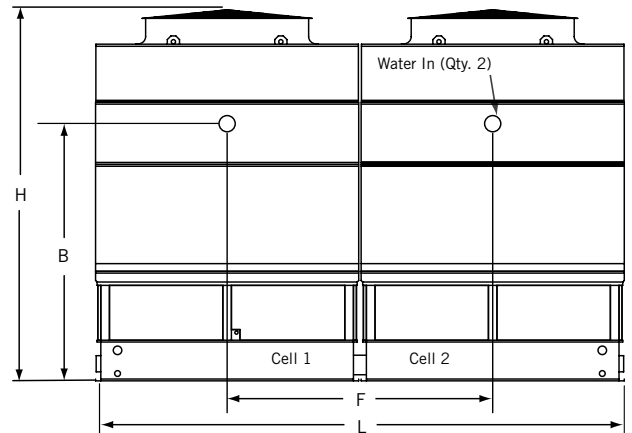
PT2 Engineering Data



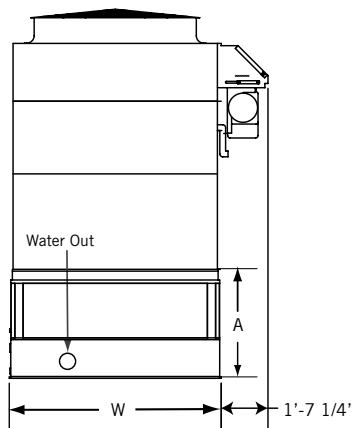
Face A: Models PT2-0709A, PT2-0809A, PT2-0812A, and PT2-0814A (For 2-Cell and 3-Cell Configurations, Connections Typical at Each End)



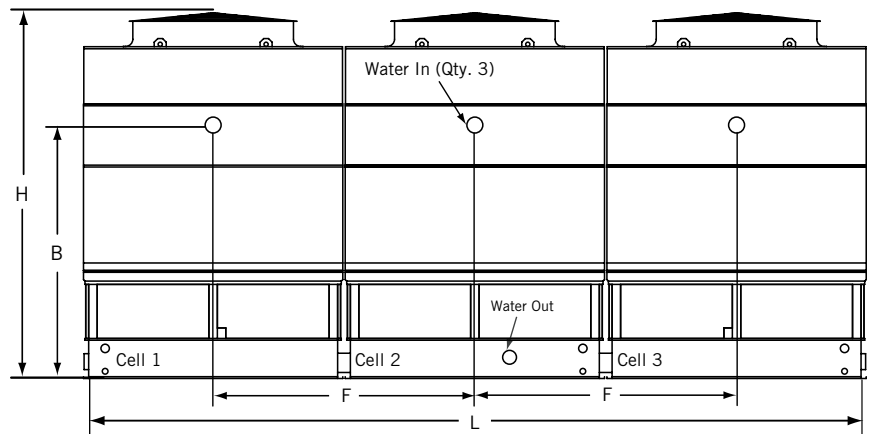
Single Cell Face C:
Models PT2-0709A, PT2-0809A, PT2-0812,A and PT2-0814A



Face C 2-Cell Configuration:
Models PT2-0709A, PT2-0809A, PT2-0812A, and PT2-0814A



Face A 3-Cell Configuration:
Models PT2-0709A, PT2-0809A, PT2-0812A, and PT2-0814A
(Connections Typical at Each End)



Face C 3-Cell Configuration:
Models PT2-0709A, PT2-0809A, PT2-0812A, and PT2-0814A

Model Number ⁽¹⁾	Nominal Weights (lbs)			Dimensions					
	Operating ⁽²⁾	Shipping	Heaviest Section	L	W	H	A	B	F
PT2-0709A-1*1	6,205	3,445	2,505	9'-0"	7'-4"	11'-5"	3'-9"	6'-10"	—
PT2-0709A-2*1	6,620	3,860	2,920	9'-0"	7'-4"	12'-5"	3'-9"	7'-10"	—
PT2-0709A-3*1	6,910	4,150	3,220	9'-0"	7'-4"	13'-5"	3'-9"	8'-10"	—
PT2-0709A-4*1	7,720	4,780	3,372	9'-0"	7'-4"	14'-5"	4'-9"	9'-10"	—
PT2-0709A-5*1	7,940	5,000	3,592	9'-0"	7'-4"	15'-5"	4'-9"	10'-10"	—
PT2-0709A-1*2	12,520	7,010	2,505	18'-1"	7'-4"	12'-5"	4'-9"	7'-10"	9'-1"
PT2-0709A-2*2	13,350	7,840	2,920	18'-1"	7'-4"	13'-5"	4'-9"	8'-10"	9'-1"
PT2-0709A-3*2	13,940	8,430	3,220	18'-1"	7'-4"	14'-5"	4'-9"	9'-10"	9'-1"
PT2-0709A-4*2	15,570	9,690	3,372	18'-1"	7'-4"	15'-10"	6'-2"	11'-2"	9'-1"
PT2-0709A-5*2	16,010	10,130	3,592	18'-1"	7'-4"	16'-10"	6'-2"	12'-2"	9'-1"
PT2-0709A-1*3	18,975	10,705	2,505	27'-2"	7'-4"	13'-5"	5'-9"	8'-10"	9'-1"
PT2-0709A-2*3	20,230	11,960	2,920	27'-2"	7'-4"	14'-5"	5'-9"	8'-10"	9'-1"
PT2-0709A-3*3	21,480	13,210	3,220	27'-2"	7'-4"	15'-5"	5'-9"	10'-10"	9'-1"
PT2-0709A-4*3	23,740	14,910	3,372	27'-2"	7'-4"	17'-7"	7'-11"	12'-11"	9'-1"
PT2-0709A-5*3	24,400	15,570	3,592	27'-2"	7'-4"	18'-7"	7'-11"	13'-11"	9'-1"
PT2-0809A-1*1	6,900	3,820	2,860	9'-0"	8'-6"	11'-7"	3'-9"	6'-11"	—
PT2-0809A-2*1	7,200	4,120	3,160	9'-0"	8'-6"	12'-7"	3'-9"	7'-11"	—
PT2-0809A-3*1	7,560	4,480	3,510	9'-0"	8'-6"	13'-7"	3'-9"	8'-11"	—
PT2-0809A-4*1	8,533	5,133	3,671	9'-0"	8'-6"	14'-7"	4'-9"	9'-11"	—
PT2-0809A-5*1	8,753	5,353	3,891	9'-0"	8'-6"	15'-7"	4'-9"	10'-11"	—
PT2-0809A-1*2	13,930	7,780	2,860	18'-1"	8'-6"	12'-7"	4'-9"	7'-11"	9'-1"
PT2-0809A-2*2	14,530	8,380	3,160	18'-1"	8'-6"	13'-7"	4'-9"	8'-11"	9'-1"
PT2-0809A-3*2	15,250	9,100	3,510	18'-1"	8'-6"	14'-7"	4'-9"	9'-11"	9'-1"
PT2-0809A-4*2	17,205	10,405	3,671	18'-1"	8'-6"	15'-11"	6'-2"	11'-4"	9'-1"
PT2-0809A-5*2	17,645	10,845	3,891	18'-1"	8'-6"	16'-11"	6'-2"	12'-4"	9'-1"
PT2-0809A-1*3	21,120	11,890	2,860	27'-2"	8'-6"	13'-7"	5'-9"	8'-10"	9'-1"
PT2-0809A-2*3	22,020	12,790	3,160	27'-2"	8'-6"	14'-7"	5'-9"	8'-10"	9'-1"
PT2-0809A-3*3	23,480	14,250	3,510	27'-2"	8'-6"	15'-7"	5'-9"	10'-11"	9'-1"
PT2-0809A-4*3	26,528	16,328	3,671	27'-2"	8'-6"	17'-7"	7'-11"	13'-1"	9'-1"
PT2-0809A-5*3	27,188	16,988	3,891	27'-2"	8'-6"	18'-7"	7'-11"	14'-1"	9'-1"
PT2-0812A-1*1	8,640	4,510	3,220	12'-0"	8'-6"	11'-8"	4'-2"	7'-4"	—
PT2-0812A-2*1	8,990	4,860	3,540	12'-0"	8'-6"	12'-8"	4'-2"	8'-4"	—
PT2-0812A-3*1	9,360	5,230	3,880	12'-0"	8'-6"	13'-8"	4'-2"	9'-4"	—
PT2-0812A-4*1	10,483	5,953	4,071	12'-0"	8'-6"	14'-8"	5'-2"	10'-4"	—
PT2-0812A-5*1	10,803	6,273	4,391	12'-0"	8'-6"	15'-8"	5'-2"	11'-4"	—
PT2-0812A-1*2	17,470	9,200	3,220	24'-1"	8'-6"	12'-8"	5'-2"	8'-4"	12'-1"
PT2-0812A-2*2	18,170	9,900	3,540	24'-1"	8'-6"	13'-8"	5'-2"	9'-4"	12'-1"
PT2-0812A-3*2	18,910	10,640	3,880	24'-1"	8'-6"	14'-8"	5'-2"	10'-4"	12'-1"
PT2-0812A-4*2	21,156	12,086	4,071	24'-1"	8'-6"	16'-5"	6'-11"	12'-1"	12'-1"
PT2-0812A-5*2	21,786	12,726	4,391	24'-1"	8'-6"	17'-5"	6'-11"	13'-1"	12'-1"
PT2-0812A-1*3	26,470	14,070	3,220	36'-2"	8'-6"	13'-8"	6'-2"	9'-4"	12'-1"
PT2-0812A-2*3	27,520	15,120	3,540	36'-2"	8'-6"	14'-8"	6'-2"	10'-4"	12'-1"
PT2-0812A-3*3	29,020	16,620	3,880	36'-2"	8'-6"	15'-8"	6'-2"	11'-4"	12'-1"
PT2-0812A-4*3	32,388	18,788	4,071	36'-2"	8'-6"	17'-11"	8'-5"	13'-7"	12'-1"
PT2-0812A-5*3	33,338	19,748	4,391	36'-2"	8'-6"	18'-11"	8'-5"	14'-7"	12'-1"



NOTES FOR SINGLE CELL UNITS:

1. Data corresponds to all available motors for this model.
2. Operating weight is based on the water level in the cold water basin at overflow height. If a lower operating weight is needed to meet design requirements, your local BAC Representative can provide additional assistance.

Do not use for construction. Refer to factory certified dimensions. This catalog includes data current at the time of publication, which should be reconfirmed at the time of purchase. Up-to-date engineering data, free product selection software, and more can be found at BaltimoreAircoil.com.

PT2 Engineering Data

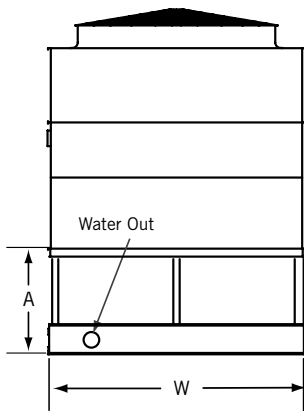
Model Number ⁽¹⁾	Nominal Weights (lbs)			Dimensions					
	Operating ⁽²⁾	Shipping	Heaviest Section	L	W	H	A	B	F
PT2-0814A-1*1	9,580	4,800	3,460	14'-0"	8'-6"	11'-8"	4'-2"	7'-4"	—
PT2-0814A-2*1	10,030	5,250	3,920	14'-0"	8'-6"	12'-8"	4'-2"	8'-4"	—
PT2-0814A-3*1	10,440	5,660	4,320	14'-0"	8'-6"	13'-8"	4'-2"	9'-4"	—
PT2-0814A-4*1	11,443	6,383	4,511	14'-0"	8'-6"	14'-8"	5'-2"	10'-4"	—
PT2-0814A-5*1	11,773	6,713	4,841	14'-0"	8'-6"	15'-8"	5'-2"	11'-4"	—
PT2-0814A-1*2	19,330	9,780	3,460	28'-1"	8'-6"	12'-8"	5'-2"	8'-4"	14'-1"
PT2-0814A-2*2	20,240	10,690	3,920	28'-1"	8'-6"	13'-8"	5'-2"	9'-4"	14'-1"
PT2-0814A-3*2	21,060	11,500	4,320	28'-1"	8'-6"	14'-8"	5'-2"	10'-4"	14'-1"
PT2-0814A-4*2	23,056	12,936	4,511	28'-1"	8'-6"	16'-5"	6'-11"	12'-1"	14'-1"
PT2-0814A-5*2	23,726	13,596	4,841	28'-1"	8'-6"	17'-5"	6'-11"	13'-1"	14'-1"
PT2-0814A-1*3	29,270	14,930	3,460	42'-2"	8'-6"	13'-8"	6'-2"	9'-4"	14'-1"
PT2-0814A-2*3	30,640	16,300	3,920	42'-2"	8'-6"	14'-8"	6'-2"	10'-4"	14'-1"
PT2-0814A-3*3	32,230	17,890	4,320	42'-2"	8'-6"	15'-8"	6'-2"	11'-4"	14'-1"
PT2-0814A-4*3	34,958	20,038	4,511	42'-2"	8'-6"	17'-11"	8'-5"	13'-7"	14'-1"
PT2-0814A-5*3	35,948	21,028	4,841	42'-2"	8'-6"	18'-11"	8'-5"	14'-7"	14'-1"



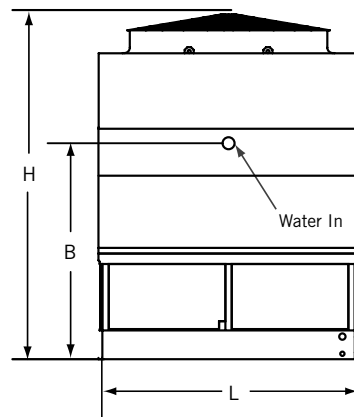
NOTES FOR SINGLE CELL UNITS:

1. Data corresponds to all available motors for this model.
2. Operating weight is based on the water level in the cold water basin at overflow height. If a lower operating weight is needed to meet design requirements, your local BAC Representative can provide additional assistance.

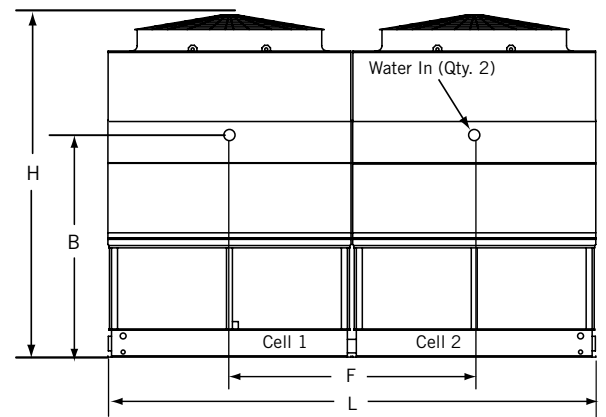
Do not use for construction. Refer to factory certified dimensions. This catalog includes data current at the time of publication, which should be reconfirmed at the time of purchase. Up-to-date engineering data, free product selection software, and more can be found at BaltimoreAircoil.com.



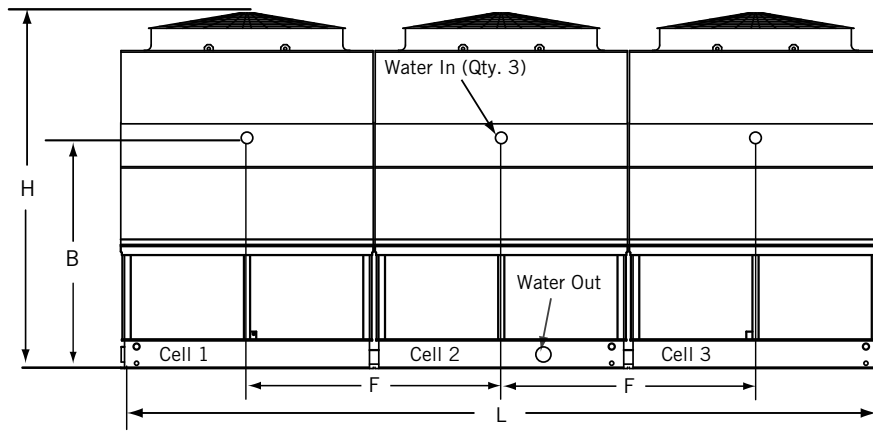
Face A: Models PT2-1009A, PT2-1012A, PT2-1212A, and PT2-1214A (For 2-Cell and 3-Cell Configurations, Connections Typical at Each End)



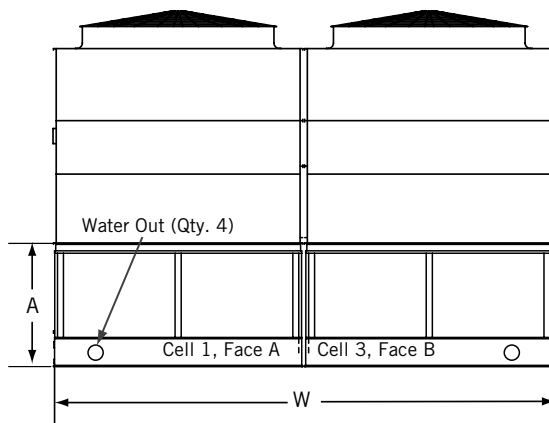
Face C Single Cell: Models PT2-1009A, PT2-1012A, PT2-1212A, and PT2-1214A



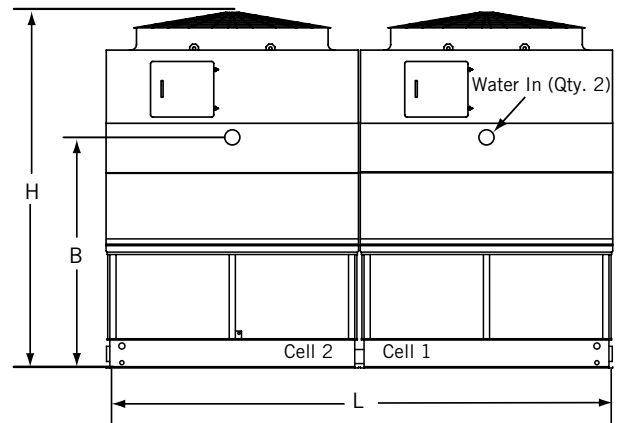
Face C 2-Cell: Models PT2-1009A, PT2-1012A, PT2-1212A, and PT2-1214A



Face C 3-Cell: Models PT2-1009A, PT2-1012A, PT2-1212A, and PT2-1214A



Face A/B Quad Configuration: Models PT2-1009A, PT2-1012A, PT2-1212A, and PT2-1214A Connections Typical at Each End



Face C Quad Configuration: Models PT2-1009A, PT2-1012A, PT2-1212A, and PT2-1214A Connections Typical at Each End

PT2 Engineering Data

Model Number ⁽¹⁾	Nominal Weights (lbs)			Dimensions					
	Operating ⁽²⁾	Shipping	Heaviest Section	L	W	H	A	B	F
PT2-1009A-1*1	7,750	4,310	3,320	9'-0"	9'-10"	13'-1"	4'-2"	7'-3"	—
PT2-1009A-2*1	8,120	4,680	3,670	9'-0"	9'-10"	14'-1"	4'-2"	8'-3"	—
PT2-1009A-3*1	8,460	5,020	3,990	9'-0"	9'-10"	15'-1"	4'-2"	9'-3"	—
PT2-1009A-4*1	9,698	5,718	4,169	9'-0"	9'-10"	16'-1"	5'-2"	10'-3"	—
PT2-1009A-5*1	9,978	5,998	4,449	9'-0"	9'-10"	17'-1"	5'-2"	11'-3"	—
PT2-1009A-1*2	15,670	8,780	3,320	18'-1"	9'-10"	14'-1"	5'-2"	8'-3"	9'-1"
PT2-1009A-2*2	16,410	9,520	3,670	18'-1"	9'-10"	15'-1"	5'-2"	9'-3"	9'-1"
PT2-1009A-3*2	17,090	10,200	3,990	18'-1"	9'-10"	16'-1"	5'-2"	10'-3"	9'-1"
PT2-1009A-4*2	19,555	11,595	4,169	18'-1"	9'-10"	17'-10"	6'-11"	12'-0"	9'-1"
PT2-1009A-5*2	20,125	12,155	4,449	18'-1"	9'-10"	18'-10"	6'-11"	13'-0"	9'-1"
PT2-1009A-1*3	23,740	13,410	3,320	27'-2"	9'-10"	15'-1"	6'-2"	9'-3"	9'-1"
PT2-1009A-2*3	24,850	14,520	3,670	27'-2"	9'-10"	16'-1"	6'-2"	10'-3"	9'-1"
PT2-1009A-3*3	26,250	15,920	3,990	27'-2"	9'-10"	17'-1"	6'-2"	11'-3"	9'-1"
PT2-1009A-4*3	29,953	18,023	4,169	27'-2"	9'-10"	19'-4"	8'-5"	13'-6"	9'-1"
PT2-1009A-5*3	30,803	18,863	4,449	27'-2"	9'-10"	20'-4"	8'-5"	14'-6"	9'-1"
PT2-1009A-1*4	32,190	18,410	3,320	18'-1"	19'-9"	16'-1"	7'-2"	10'-3"	—
PT2-1009A-2*4	33,800	20,020	3,670	18'-1"	19'-9"	17'-1"	7'-2"	11'-3"	—
PT2-1009A-3*4	35,660	21,880	3,990	18'-1"	19'-9"	18'-1"	7'-2"	12'-3"	—
PT2-1009A-4*4	41,060	24,690	4,169	18'-1"	19'-9"	20'-1"	9'-2"	14'-3"	—
PT2-1009A-5*4	42,190	25,810	4,449	18'-1"	19'-9"	21'-1"	9'-2"	15'-3"	—
PT2-1012A-1*1	10,240	5,650	4,360	12'-0"	9'-10"	13'-4"	4'-5"	7'-6"	—
PT2-1012A-2*1	10,640	6,050	4,740	12'-0"	9'-10"	14'-4"	4'-5"	8'-6"	—
PT2-1012A-3*1	11,210	6,620	5,280	12'-0"	9'-10"	15'-4"	4'-5"	9'-6"	—
PT2-1012A-4*1	12,468	7,388	5,489	12'-0"	9'-10"	16'-8"	5'-9"	10'-10"	—
PT2-1012A-5*1	12,838	7,748	5,849	12'-0"	9'-10"	17'-8"	5'-9"	11'-10"	—
PT2-1012A-1*2	20,700	11,510	4,360	24'-1"	9'-10"	14'-4"	5'-5"	8'-6"	12'-1"
PT2-1012A-2*2	21,510	12,320	4,740	24'-1"	9'-10"	15'-4"	5'-5"	9'-6"	12'-1"
PT2-1012A-3*2	22,630	13,440	5,280	24'-1"	9'-10"	16'-4"	5'-5"	10'-6"	12'-1"
PT2-1012A-4*2	25,156	14,986	5,489	24'-1"	9'-10"	18'-1"	7'-2"	12'-3"	12'-1"
PT2-1012A-5*2	25,876	15,706	5,849	24'-1"	9'-10"	19'-1"	7'-2"	13'-3"	12'-1"
PT2-1012A-1*3	31,370	17,590	4,360	36'-2"	9'-10"	15'-4"	6'-5"	9'-6"	12'-1"
PT2-1012A-2*3	32,570	18,790	4,740	36'-2"	9'-10"	16'-4"	6'-5"	10'-6"	12'-1"
PT2-1012A-3*3	34,750	20,970	5,280	36'-2"	9'-10"	17'-4"	6'-5"	11'-6"	12'-1"
PT2-1012A-4*3	38,543	23,283	5,489	36'-2"	9'-10"	19'-8"	8'-9"	13'-10"	12'-1"
PT2-1012A-5*3	39,623	24,363	5,849	36'-2"	9'-10"	20'-8"	8'-9"	14'-10"	12'-1"
PT2-1012A-1*4	42,510	24,140	4,360	24'-1"	19'-9"	16'-4"	7'-5"	10'-6"	—
PT2-1012A-2*4	44,290	25,920	4,740	24'-1"	19'-9"	17'-4"	7'-5"	11'-6"	—
PT2-1012A-3*4	47,190	28,820	5,280	24'-1"	19'-9"	18'-4"	7'-5"	12'-6"	—
PT2-1012A-4*4	52,701	31,891	5,489	24'-1"	19'-9"	20'-6"	9'-7"	14'-8"	—
PT2-1012A-5*4	54,121	33,331	5,849	24'-1"	19'-9"	21'-6"	9'-7"	15'-8"	—



NOTES FOR SINGLE CELL UNITS:

1. Data corresponds to all available motors for this model.
2. Operating weight is based on the water level in the cold water basin at overflow height. If a lower operating weight is needed to meet design requirements, your local BAC Representative can provide additional assistance.

Do not use for construction. Refer to factory certified dimensions. This catalog includes data current at the time of publication, which should be reconfirmed at the time of purchase. Up-to-date engineering data, free product selection software, and more can be found at BaltimoreAircoil.com.

Model Number ⁽¹⁾	Nominal Weights (lbs)			Dimensions					
	Operating ⁽²⁾	Shipping	Heaviest Section	L	W	H	A	B	F
PT2-1212A-1*1	11,640	6,400	4,600	12'-0"	11'-10"	13'-11"	4'-11"	8'-0"	—
PT2-1212A-2*1	12,190	6,950	5,150	12'-0"	11'-10"	14'-11"	4'-11"	9'-0"	—
PT2-1212A-3*1	12,900	7,660	5,870	12'-0"	11'-10"	15'-11"	4'-11"	10'-0"	—
PT2-1212A-4*1	14,253	8,483	6,097	12'-0"	11'-10"	17'-5"	6'-5"	11'-6"	—
PT2-1212A-5*1	14,673	8,903	6,517	12'-0"	11'-10"	18'-5"	6'-5"	12'-6"	—
PT2-1212A-1*2	23,410	12,940	4,600	24'-1"	11'-10"	14'-11"	5'-11"	9'-0"	12'-1"
PT2-1212A-2*2	24,520	14,050	5,150	24'-1"	11'-10"	15'-11"	5'-11"	10'-0"	12'-1"
PT2-1212A-3*2	25,950	15,480	5,870	24'-1"	11'-10"	16'-11"	5'-11"	11'-0"	12'-1"
PT2-1212A-4*2	28,646	17,116	6,097	24'-1"	11'-10"	18'-7"	7'-7"	12'-8"	12'-1"
PT2-1212A-5*2	29,496	17,956	6,517	24'-1"	11'-10"	19'-7"	7'-7"	13'-8"	12'-1"
PT2-1212A-1*3	35,350	19,640	4,600	36'-2"	11'-10"	15'-11"	6'-11"	10'-0"	12'-1"
PT2-1212A-2*3	37,010	21,300	5,150	36'-2"	11'-10"	16'-11"	6'-11"	11'-0"	12'-1"
PT2-1212A-3*3	39,150	23,440	5,870	36'-2"	11'-10"	17'-11"	6'-11"	12'-0"	12'-1"
PT2-1212A-4*3	43,198	25,898	6,097	36'-2"	11'-10"	19'-9"	8'-9"	13'-10"	12'-1"
PT2-1212A-5*3	44,478	27,158	6,517	36'-2"	11'-10"	20'-9"	8'-9"	14'-10"	12'-1"
PT2-1212A-1*4	47,270	26,330	4,600	24'-1"	23'-9"	16'-11"	7'-11"	11'-0"	—
PT2-1212A-2*4	49,490	28,550	5,150	24'-1"	23'-9"	17'-11"	7'-11"	12'-0"	—
PT2-1212A-3*4	52,340	31,400	5,870	24'-1"	23'-9"	18'-11"	7'-11"	13'-0"	—
PT2-1212A-4*4	57,741	34,651	6,097	24'-1"	23'-9"	20'-7"	9'-7"	14'-8"	—
PT2-1212A-5*4	59,421	36,331	6,517	24'-1"	23'-9"	21'-7"	9'-7"	15'-8"	—
PT2-1214A-1*1	13,210	7,000	5,080	14'-0"	11'-10"	13'-11"	4'-11"	8'-0"	—
PT2-1214A-2*1	13,860	7,650	5,730	14'-0"	11'-10"	14'-11"	4'-11"	9'-0"	—
PT2-1214A-3*1	14,360	8,140	6,220	14'-0"	11'-10"	15'-11"	4'-11"	10'-0"	—
PT2-1214A-4*1	15,463	8,953	6,447	14'-0"	11'-10"	17'-5"	6'-5"	11'-6"	—
PT2-1214A-5*1	15,953	9,443	6,937	14'-0"	11'-10"	18'-5"	6'-5"	12'-6"	—
PT2-1214A-1*2	26,580	14,150	5,080	28'-1"	11'-10"	14'-11"	5'-11"	9'-0"	14'-1"
PT2-1214A-2*2	27,880	15,450	5,730	28'-1"	11'-10"	15'-11"	5'-11"	10'-0"	14'-1"
PT2-1214A-3*2	28,860	16,440	6,220	28'-1"	11'-10"	16'-11"	5'-11"	11'-0"	14'-1"
PT2-1214A-4*2	31,066	18,066	6,447	28'-1"	11'-10"	18'-7"	7'-7"	12'-8"	14'-1"
PT2-1214A-5*2	32,046	19,046	6,937	28'-1"	11'-10"	19'-7"	7'-7"	13'-8"	14'-1"
PT2-1214A-1*3	40,090	21,450	5,080	42'-2"	11'-10"	15'-11"	6'-11"	10'-0"	14'-1"
PT2-1214A-2*3	42,040	23,400	5,730	42'-2"	11'-10"	16'-11"	6'-11"	11'-0"	14'-1"
PT2-1214A-3*3	43,510	24,880	6,220	42'-2"	11'-10"	17'-11"	6'-11"	12'-0"	14'-1"
PT2-1214A-4*3	46,818	27,318	6,447	42'-2"	11'-10"	19'-9"	8'-9"	13'-10"	14'-1"
PT2-1214A-5*3	48,298	28,788	6,937	42'-2"	11'-10"	20'-9"	8'-9"	14'-10"	14'-1"
PT2-1214A-1*4	53,750	28,900	5,080	28'-1"	11'-10"	16'-11"	7'-11"	11'-0"	—
PT2-1214A-2*4	56,350	31,500	5,730	28'-1"	11'-10"	17'-11"	7'-11"	12'-0"	—
PT2-1214A-3*4	58,320	33,470	6,220	28'-1"	11'-10"	18'-11"	7'-11"	13'-0"	—
PT2-1214A-4*4	62,731	36,721	6,447	28'-1"	11'-10"	20'-7"	9'-7"	14'-8"	—
PT2-1214A-5*4	64,691	38,681	6,937	28'-1"	11'-10"	21'-7"	9'-7"	15'-8"	—

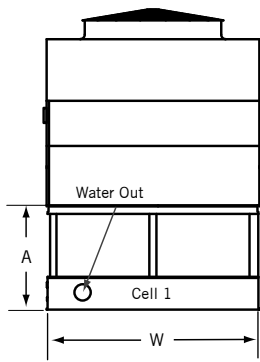


NOTES FOR SINGLE CELL UNITS:

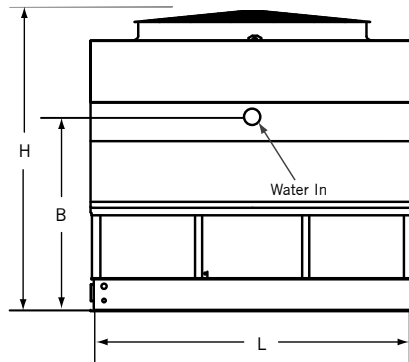
1. Data corresponds to all available motors for this model.
2. Operating weight is based on the water level in the cold water basin at overflow height. If a lower operating weight is needed to meet design requirements, your local BAC Representative can provide additional assistance.

Do not use for construction. Refer to factory certified dimensions. This catalog includes data current at the time of publication, which should be reconfirmed at the time of purchase. Up-to-date engineering data, free product selection software, and more can be found at BaltimoreAircoil.com.

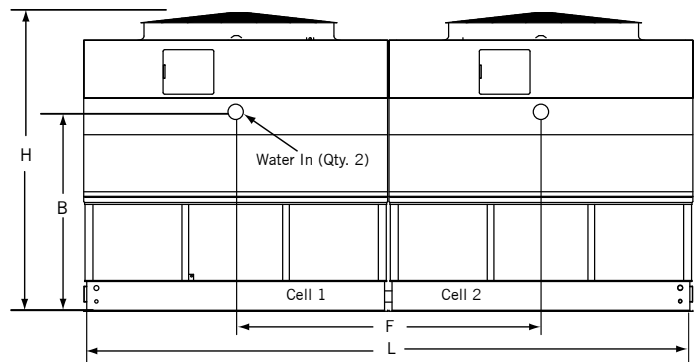
PT2 Engineering Data



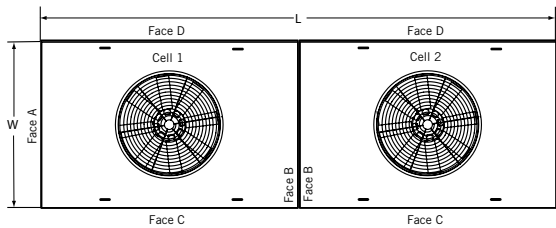
Face A: PT2-1218A-**1 and PT2-1218A-**2
(For 2-Cell Configurations, Connections Typical at Each End)



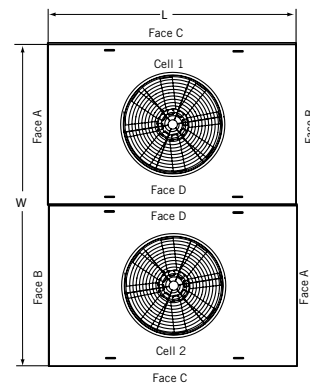
Face C Single Cell: Models PT2-1218A-**1



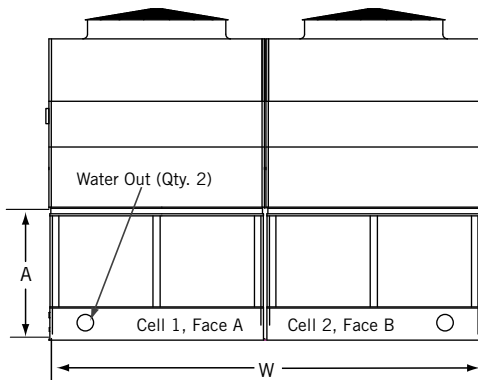
Face C 2-Cell: Models PT2-1218A-**2



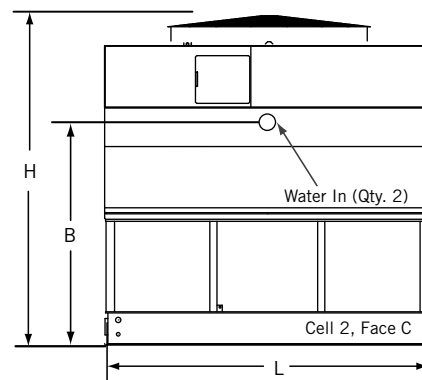
Plan View 2-Cell: Models PT2-1218A-**2



Plan View 2-Cell: Models PT2-1218A-**T



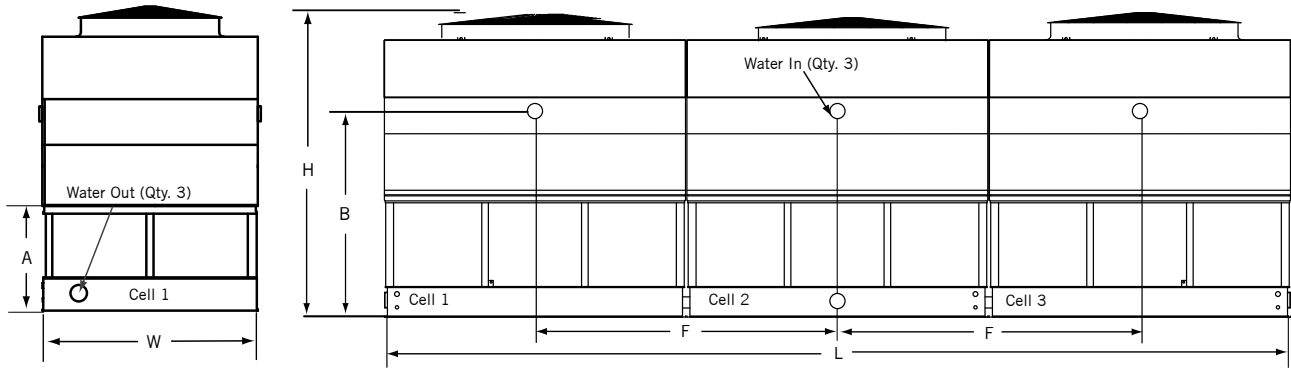
Face A/B of 2-Cell Configuration: Models PT2-1218A-**T
(Connections Typical at Each End)



Face C 2-Cell Configuration: Models PT2-1218A-**T

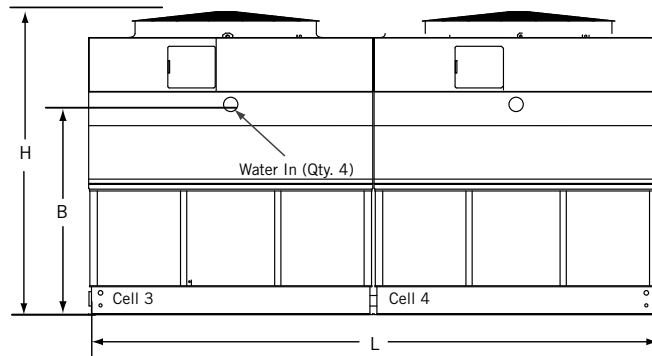
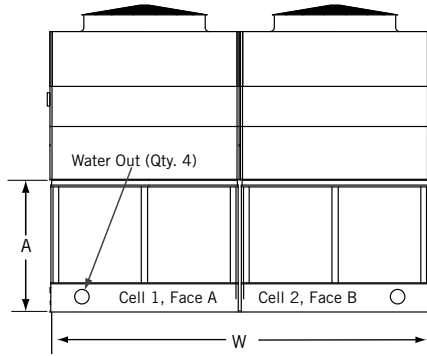
NOTES:

1. Data corresponds to all available motors for this model.
2. Operating weight is based on the water level in the cold water basin at overflow height. If a lower operating weight is needed to meet design requirements, your local BAC Representative can provide additional assistance.
3. For PT2-1218A-*S* models, two fans are standard.



Face A 3-Cell Configuration: Models PT2-1218A-***
Connections Typical at Each End

Face C 3-Cell Configuration: Models PT2-1218A-***



Face A/B Quad Configuration: Models PT2-1218A-***4, Connections
Typical at Each End

Face C Quad Configuration: Models PT2-1218A-***4,
Connections Typical at Each End

Model Number ⁽¹⁾	Nominal Weights (lbs)			Dimensions					
	Operating ⁽²⁾	Shipping	Heaviest Section	L	W	H	A	B	F
PT2-1218A-1*1	20,020	10,630	6,920	18'-1"	11'-10"	15'-1"	5'-10"	8'-10"	—
PT2-1218A-2*1	20,715	11,325	7,615	18'-1"	11'-10"	16'-1"	5'-10"	9'-10"	—
PT2-1218A-3*1	22,190	12,800	9,090	18'-1"	11'-10"	17'-1"	5'-10"	10'-10"	—
PT2-1218A-4*1	23,185	13,531	9,376	18'-1"	11'-10"	18'-1"	6'-10"	11'-10"	—
PT2-1218A-5*1	23,846	14,192	10,037	18'-1"	11'-10"	19'-1"	6'-10"	12'-10"	—
PT2-1218A-1*2	40,270	21,500	6,920	36'-1"	11'-10"	16'-1"	6'-10"	9'-10"	18'-1"
PT2-1218A-2*2	41,670	22,900	7,615	36'-1"	11'-10"	17'-1"	6'-10"	10'-10"	18'-1"
PT2-1218A-3*2	44,620	25,850	9,090	36'-1"	11'-10"	18'-1"	6'-10"	11'-10"	18'-1"
PT2-1218A-4*2	46,610	27,312	9,376	36'-1"	11'-10"	19'-3"	8'-0"	13'-0"	18'-1"
PT2-1218A-5*2	47,932	28,634	10,037	36'-1"	11'-10"	20'-3"	8'-0"	14'-0"	18'-1"
PT2-1218A-1*T	40,400	21,630	6,920	18'-1"	23'-9"	16'-7"	7'-4"	10'-4"	—
PT2-1218A-2*T	41,800	23,030	7,615	18'-1"	23'-9"	17'-7"	7'-4"	11'-4"	—
PT2-1218A-3*T	44,750	25,980	9,090	18'-1"	23'-9"	18'-7"	7'-4"	12'-4"	—
PT2-1218A-4*T	46,740	27,442	9,376	18'-1"	23'-9"	20'-5"	9'-2"	14'-2"	—
PT2-1218A-5*T	48,062	28,764	10,037	18'-1"	23'-9"	21'-5"	9'-2"	15'-2"	—
PT2-1218A-1*3	60,610	32,450	6,920	54'-2"	11'-10"	16'-7"	7'-4"	10'-4"	18'-1"
PT2-1218A-2*3	62,705	34,545	7,615	54'-2"	11'-10"	17'-7"	7'-4"	11'-4"	18'-1"
PT2-1218A-3*3	67,130	38,970	9,090	54'-2"	11'-10"	18'-7"	7'-4"	12'-4"	18'-1"
PT2-1218A-4*3	69,954	41,381	9,376	54'-2"	11'-10"	20'-5"	9'-2"	14'-2"	18'-1"
PT2-1218A-5*3	72,762	43,777	10,037	54'-2"	11'-10"	21'-5"	9'-2"	15'-2"	18'-1"
PT2-1218A-1*4	81,300	43,750	6,920	36'-1"	23'-9"	17'-7"	8'-4"	11'-4"	—
PT2-1218A-2*4	84,100	46,550	7,615	36'-1"	23'-9"	18'-7"	8'-4"	12'-4"	—
PT2-1218A-3*4	89,990	52,440	9,090	36'-1"	23'-9"	19'-7"	8'-4"	13'-4"	—
PT2-1218A-4*4	93,275	55,175	9,376	36'-1"	23'-9"	21'-3"	6'-9"	15'-0"	—
PT2-1218A-5*4	97,569	58,919	10,037	36'-1"	23'-9"	22'-3"	6'-9"	16'-0"	—

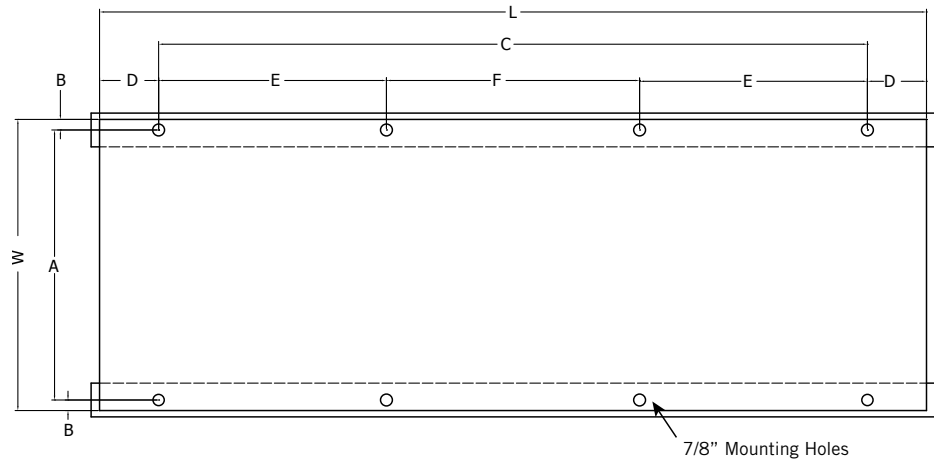
PT2 Structural Support: Plan A

The recommended support arrangement for the PT2 Cooling Tower consists of parallel structural members positioned as shown on the drawing below. In addition to providing The recommended support arrangement for the PT2 Cooling Tower consists of parallel structural members positioned as shown on the drawing below. In addition to providing adequate support, the members also serve to raise the unit above any solid foundation to ensure access to the bottom of the tower. The PT2 Cooling Tower may also be supported on columns at the anchor bolt locations shown.

To support a PT2 Cooling Tower on columns with an alternate support arrangement, or the optional structurally upgraded unit, consult your local BAC Representative.

NOTES:

1. Contact your local BAC Representative for multi cell or structurally upgraded unit support.
2. Support members and anchor bolts shall be designed, furnished, and installed by others.
3. Design of support members and anchor bolts shall be in accordance with the strength and serviceability requirements of the applicable building code and project specifications.
4. Support members shall be level at the top.
5. Refer to the certified unit support drawing for loading and additional support requirements.
6. The length of the support members shall be at least equal to the length of the basin. Refer to engineering data for basin dimensions. Support data is tabulated in the table to the right.

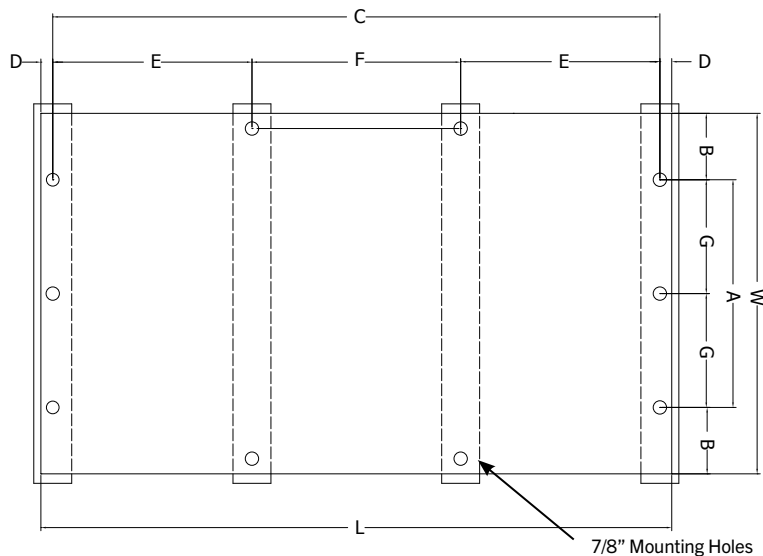


Single Cell Standard Unit: Plan A

SINGLE CELL STANDARD UNIT: PLAN A

Model Number	L	W	A	B	C	D	E	F	Anchor Bolt Qty.
PT2-0412A	11'-11 3/4"	4'-0"	3'-9 3/4"	1 1/8"	10'-5 1/4"	9 1/4"	—	—	4
PT2-0709A	8'-11 3/4"	7'-3 1/4"	7'-1"	1 1/8"	7'-5 1/4"	9 1/4"	—	—	4
PT2-0809A	8'-11 3/4"	8'-5 3/4"	8'-3 1/2"	1 1/8"	7'-5 1/4"	9 1/4"	—	—	4
PT2-0812A	11'-11 3/4"	8'-5 3/4"	8'-3 1/2"	1 1/8"	10'-5 1/4"	9 1/4"	—	—	4
PT2-0814A	13'-11 3/4"	8'-5 3/4"	8'-3 1/2"	1 1/8"	13'-3 3/4"	4"	—	—	4
PT2-1009A	8'-11 3/4"	9'-10"	9'-7 3/4"	1 1/8"	7'-5 1/4"	9 1/4"	—	—	4
PT2-1012A	11'-11 3/4"	9'-10"	9'-7 3/4"	1 1/8"	10'-5 1/4"	9 1/4"	—	—	4
PT2-1212A	11'-11 3/4"	11'-10"	11'-7 3/4"	1 1/8"	10'-5 1/4"	9 1/4"	—	—	4
PT2-1214A	13'-11 3/4"	11'-10"	11'-7 3/4"	1 1/8"	13'-3 3/4"	4"	—	—	4
PT2-1218A	17'-11 3/4"	11'-10"	11'-7 3/4"	1 1/8"	17'-3 3/4"	4"	5'-8 3/32"	5'-11 1/2"	8

PT2 Structural Support: Plan B



Single Cell Standard Unit: Plan B



NOTES:

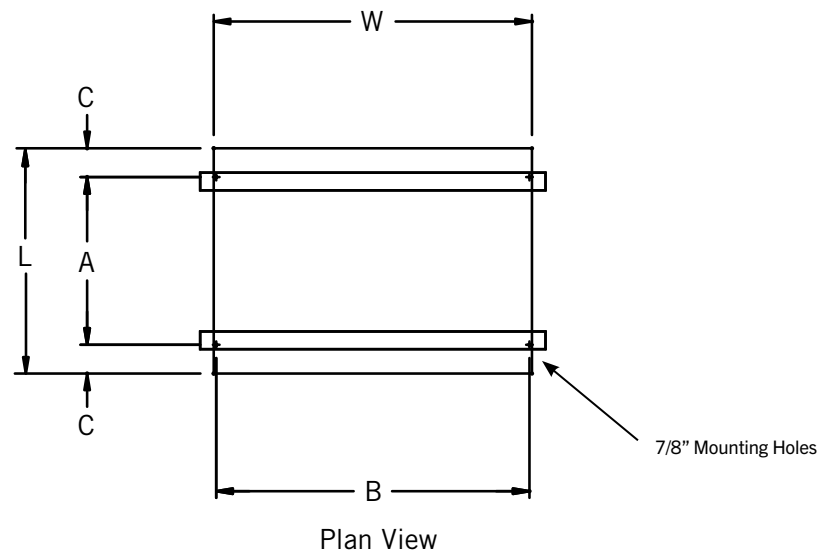
1. Contact your local BAC Representative for multi cell or structurally upgraded unit support.
2. Support members and anchor bolts shall be designed, furnished, and installed by others.
3. Design of support members and anchor bolts shall be in accordance with the strength and serviceability requirements of the applicable building code and project specifications.
4. Support members shall be level at the top.
5. Refer to the certified unit support drawing for loading and additional support requirements.
6. The length of the structural member shall be at least equal to the length of the basin. Refer to engineering data for basin dimensions. Support data are tabulated in the table to the left.

SINGLE CELL STANDARD UNIT: PLAN B

Model Number	L	W	A	B	C	D	E	F	G	Anchor Bolt Qty.
PT2-0412A	11'-11 3/4"	4'-0"	3'-4"	4"	11'-9 1/2"	1 1/8"	—	—	—	4
PT2-0709A	8'-11 3/4"	7'-3 1/4"	6'-7 1/4"	4"	8'-9 1/2"	1 1/8"	—	—	—	4
PT2-0809A	8'-11 3/4"	8'-5 3/4"	7'-9 3/4"	4"	8'-9 1/2"	1 1/8"	—	—	—	4
PT2-0812A	11'-11 3/4"	8'-5 3/4"	7'-9 3/4"	4"	11'-9 1/2"	1 1/8"	—	—	—	4
PT2-0814A	13'-11 3/4"	8'-5 3/4"	7'-9 3/4"	4"	13'-3 3/4"	1 1/8"	—	—	—	4
PT2-1009A	8'-11 3/4"	9'-10"	9'-2"	4"	8'-9 1/2"	1 1/8"	—	—	—	4
PT2-1012A	11'-11 3/4"	9'-10"	9'-2"	4"	11'-9 1/2"	1 1/8"	—	—	—	4
PT2-1212A	11'-11 3/4"	11'-10"	11'-2"	4"	11'-9 1/2"	1 1/8"	—	—	—	4
PT2-1214A	13'-11 3/4"	11'-10"	11'-2"	4"	13'-3 3/4"	1 1/8"	—	—	—	4
PT2-1218A	17'-11 3/4"	11'-10"	11'-2"	4"	17'-9 1/2"	1 1/8"	5'-11"	5'-11 1/2"	5'-7"	10

PT2 Alternative Structural Support

For replacement installations, the PT2 Cooling Tower has been designed to match the supports of many existing counterflow and crossflow cooling towers without modifications. Shown below are the most common support arrangements which can be accommodated by the PT2. If individual point support is required, or if the support arrangement is not shown as below, consult your local BAC Representative for assistance.



Model Number	Unit	A	B	C	L	W
PT2-0412A	VTO-102 thru 116	3'- 9 3/8"	11'- 5 1/2"	1 5/16"	4'- 0"	11'- 11 3/4"
	VTL-103 thru 137	3'- 11"	13'- 11 1/2"	1/2"	4'- 0"	11'- 11 3/4"
PT2-0709A	FXT-115 thru 142	7'- 1 7/8"	8'- 0"	11/16"	7'- 3 1/4"	8'- 11 3/4"
PT2-0809A	VT1-N209 thru N270	7'- 7 5/8"	10'- 5 1/4"	5 1/16"	8'- 5 3/4"	8'- 11 3/4"
PT2-0812A	VT1-N209 thru N270	7'- 7 5/8"	10'- 5 1/4"	5 1/16"	8'- 5 3/4"	11'- 11 3/4"
	Series 15146 thru 15282	6'- 9 3/4"	11'- 7 3/4"	10"	8'- 5 3/4"	11'- 11 3/4"
	VTL/VST	8'- 3 1/2"	8'- 9 1/8"	1 1/8"	8'- 5 3/4"	11'- 11 3/4"
	CFT	8'- 0"	8'- 3 1/2"	2 7/8"	8'- 5 3/4"	11'- 11 3/4"
	VXT-N215 thru N265	7'- 11 1/2"	11'- 7 3/4"	3 1/8"	8'- 5 3/4"	11'- 11 3/4"
	Series 3000	8'- 3 1/4"	8'- 3 1/2"	1 1/8"	8'- 5 3/4"	11'- 11 3/4"
PT2-1012A	VXT-315 thru 400	9'- 10 1/8"	11'- 7 3/4"	(0 1/16")	9'- 10"	11'- 11 3/4"
PT2-1212A	Series 1500	11'- 7 3/4"	10'- 5 1/4"	1 1/8"	11'- 10"	11'- 11 3/4"
	Series 3000	9'- 6"	11'- 11"	1'- 2"	11'- 10"	11'- 11 3/4"
	VXT, VLT, VST	8'- 11 1/4"	11'- 11"	1'- 5 3/8"	11'- 10"	11'- 11 3/4"
	VXT, VXMT	9'- 7 1/2"	11'- 11"	1'- 11 1/4"	11'- 10"	11'- 11 3/4"
	CFT	8'- 0"	11'- 11"	1'- 11"	11'- 10"	11'- 11 3/4"
PT2-0814A, PT2-1214A, and PT2-1218A	Please contact your local BAC Representative for assistance.					