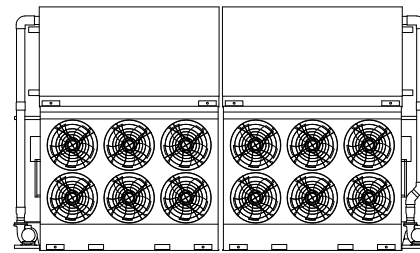
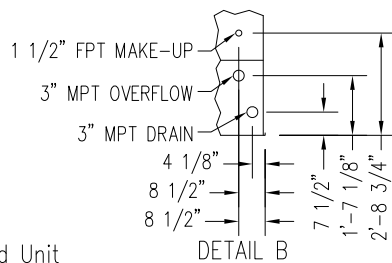
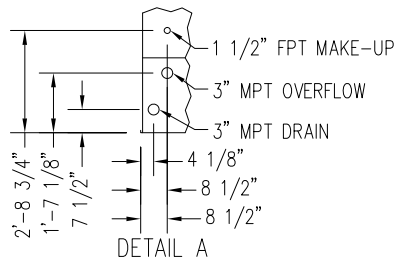
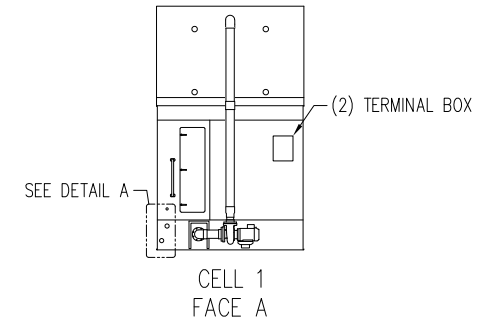
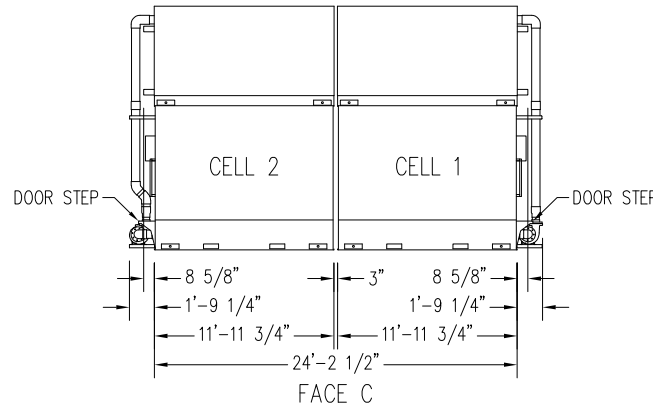
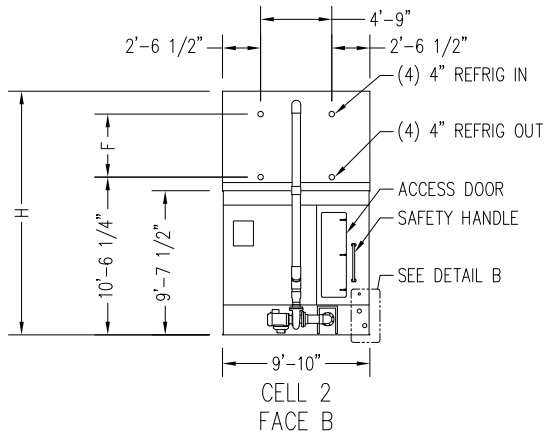
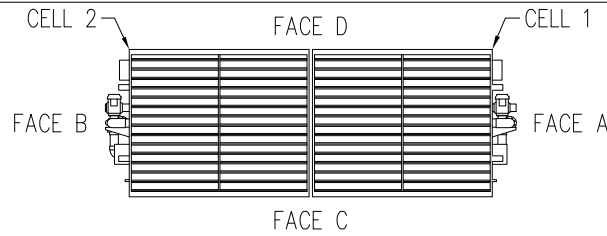


- Notes
- 1) Drawings are not to scale.
 - 2) Dimensions are in feet and inches. Weights are in pounds and include options and accessories.
 - 3) Unless otherwise indicated, connections 3" and smaller are MPT.
 - 4) Dimensions showing location of coil & basin connections are approximate and should not be used for prefabrication of connecting piping.
 - 5) For weight loadings and support requirements, refer to suggested steel support drawing.
 - 6) Area above the air discharge must be unobstructed.
 - 7) Field piping must not be supported by the unit inlet or outlet connections.



CELL 1 FACE D CELL 2

MODEL NUMBER	APPROX. SHIPPING WEIGHT	APPROX. OPERATING WEIGHT	HEAVIEST SECTION (COIL)	F	H
VRC-0538B-1024N-HB	24,650	33,360	6,640	3'-7"	15'-8"
VRC-0595B-1024N-JB	24,650	33,360	6,640	3'-7"	15'-8"
VRC-0601B-1024N-HB	26,440	35,320	7,540	3'-7"	15'-8"
VRC-0665B-1024N-JB	26,440	35,320	7,540	3'-7"	15'-8"
VRC-0646B-1024N-HB	30,210	39,270	9,420	4'-10"	16'-11"
VRC-0713B-1024N-JB	30,210	39,270	9,420	4'-10"	16'-11"
VRC-0693B-1024N-HB	31,770	40,980	10,200	4'-10"	16'-11"
VRC-0766B-1024N-JB	31,770	40,980	10,200	4'-10"	16'-11"

Right & Left Hand Unit

ORDER NO:

DATE:



BALTIMORE AIRCOIL COMPANY

**Vertex™ Evaporative Condenser
10x24 Two Cell Unit Print**

DRAWING NUMBER: