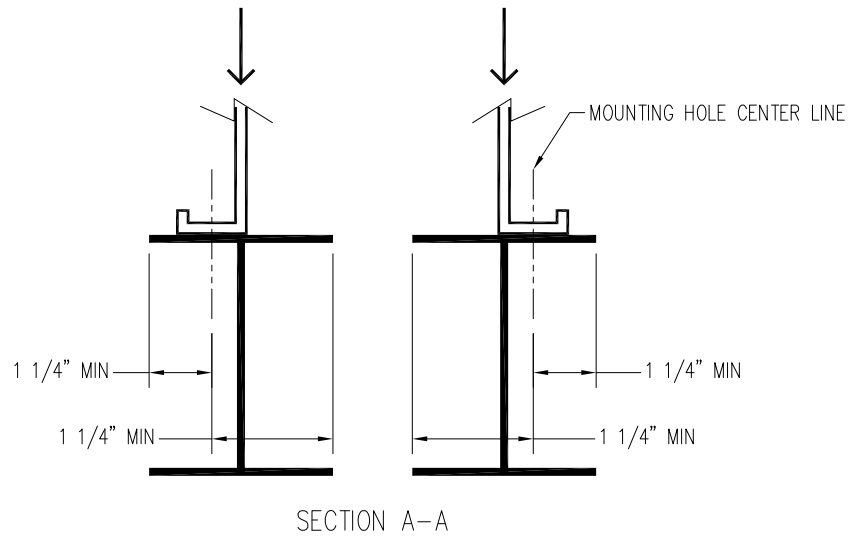


MODEL NUMBER	APPROX. SHIPPING WEIGHT	APPROX. OPERATING WEIGHT
VRC-0798B-1036N-HB	32,790	45,560
VRC-0882B-1036N-JB	32,790	45,560
VRC-0871B-1036N-HB	35,480	48,510
VRC-0963B-1036N-JB	35,480	48,510
VRC-0952B-1036N-HB	40,170	53,470
VRC-1052B-1036N-JB	40,170	53,470
VRC-1023B-1036N-HB	42,470	55,990
VRC-1131B-1036N-JB	42,470	55,990

Notes

- 1) Drawings are not to scale.
- 2) All dimensions are in feet and inches. Weights are in pounds and include options and accessories.
- 3) Operating weight and weight loading are for units with water level in cold water basin at overflow.
- 4) Unit support beams and anchor bolts to be designed and furnished by others. Minimum dimensions shown in Section A-A are provided only to ensure proper support of unit.
- 5) Support beams must be flush and level at top.
- 6) Support beams are not limited to an I-beam shape.
- 7) Each beam should be designed, as a minimum, for 65% of the total unit operating weight applied as a uniformly distributed load.
- 8) If vibration isolators are used, they should be installed under the support beams and should never have direct contact with the unit.



ORDER NO: _____

DATE: _____



BALTIMORE AIRCOIL COMPANY

**Vertex™ Evaporative Condenser
10x36 Two Cell Unit Support**

DRAWING NUMBER: _____