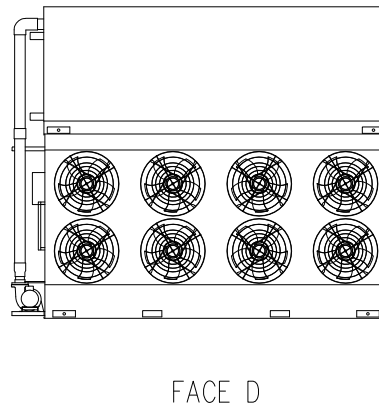
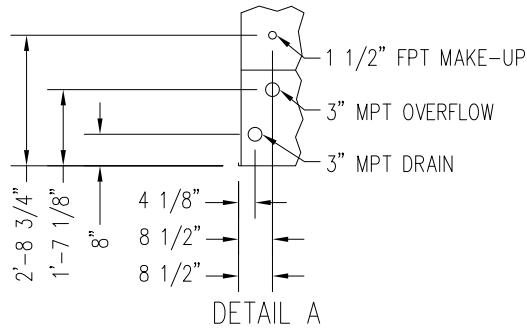
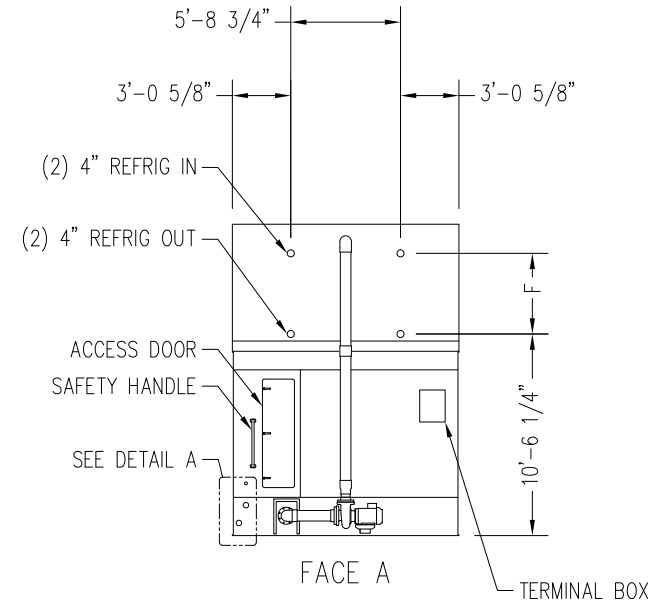
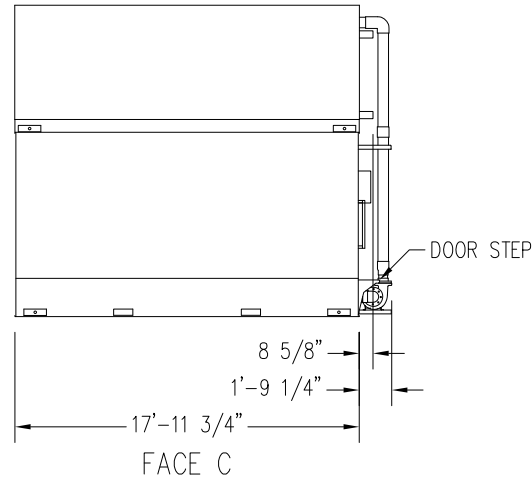
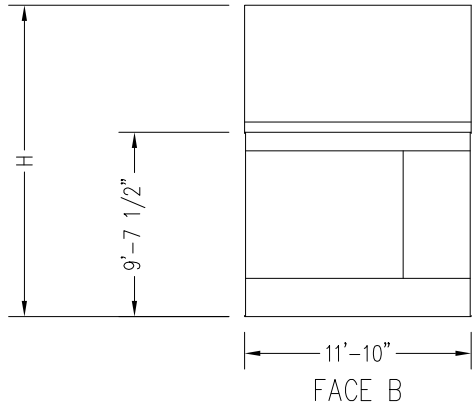
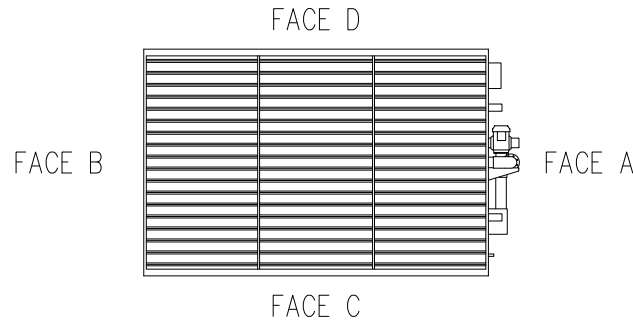


- Notes
- 1) Drawings are not to scale.
 - 2) Dimensions are in feet and inches. Weights are in pounds and include options and accessories.
 - 3) Unless otherwise indicated, connections 3" and smaller are MPT.
 - 4) Dimensions showing location of coil & basin connections are approximate and should not be used for prefabrication of connecting piping.
 - 5) For weight loadings and support requirements, refer to suggested steel support drawing.
 - 6) Area above the air discharge must be unobstructed.
 - 7) Field piping must not be supported by the unit inlet or outlet connections.



MODEL NUMBER	APPROX. SHIPPING WEIGHT	APPROX. OPERATING WEIGHT	HEAVIEST SECTION (COIL)	F	H
VRC-0467B-1218N-HB	18,780	25,900	11,120	3'-7"	15'-8"
VRC-0516B-1218N-JB	18,780	25,900	11,120	3'-7"	15'-8"
VRC-0510B-1218N-HB	20,430	27,710	12,780	3'-7"	15'-8"
VRC-0564B-1218N-JB	20,430	27,710	12,780	3'-7"	15'-8"
VRC-0555B-1218N-HB	23,150	30,600	15,500	4'-10"	16'-11"
VRC-0614B-1218N-JB	23,150	30,600	15,500	4'-10"	16'-11"
VRC-0599B-1218N-HB	24,600	32,190	16,950	4'-10"	16'-11"
VRC-0662B-1218N-JB	24,600	32,190	16,950	4'-10"	16'-11"

Right Hand Unit

ORDER NO:

DATE:



**BALTIMORE
AIRCOIL COMPANY**

**Vertex™ Evaporative Condenser
Single Cell Unit Print**

DRAWING NUMBER: