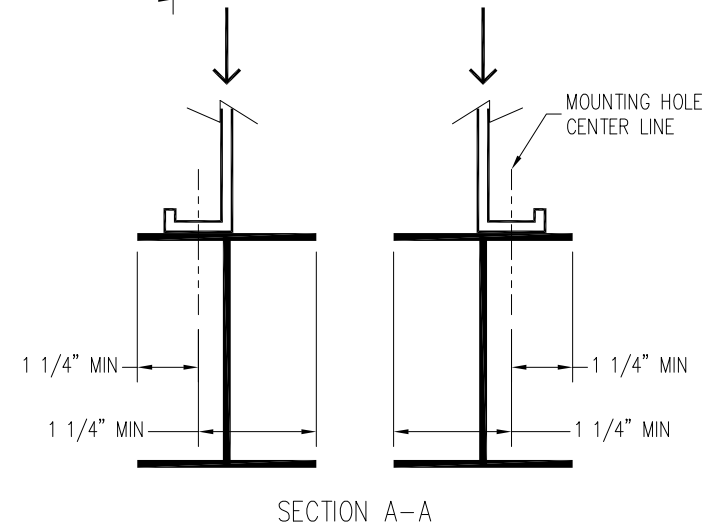


Notes

- 1) Drawings are not to scale.
- 2) All dimensions are in feet and inches. Weights are in pounds and include options and accessories.
- 3) Operating weight and weight loading are for units with water level in cold water basin at overflow.
- 4) Unit support beams and anchor bolts to be designed and furnished by others. Minimum dimensions shown in Section A-A are provided only to ensure proper support of unit.
- 5) Support beams must be flush and level at top.
- 6) Support beams are not limited to an I-beam shape.
- 7) Each beam should be designed, as a minimum, for 65% of the total unit operating weight applied as a uniformly distributed load.
- 8) If vibration isolators are used, they should be installed under the support beams and should never have direct contact with the unit.



MODEL NUMBER	APPROX. SHIPPING WEIGHT	APPROX. OPERATING WEIGHT
VRC-0467B-1218N-HB	18,780	25,900
VRC-0516B-1218N-JB	18,780	25,900
VRC-0510B-1218N-HB	20,430	27,710
VRC-0564B-1218N-JB	20,430	27,710
VRC-0555B-1218N-HB	23,150	30,600
VRC-0614B-1218N-JB	23,150	30,600
VRC-0599B-1218N-HB	24,600	32,190
VRC-0662B-1218N-JB	24,600	32,190

ORDER NO: _____

DATE: _____



BALTIMORE AIRCOIL COMPANY

**Vertex™ Evaporative Condenser
Single Cell Unit Support**

DRAWING NUMBER: _____