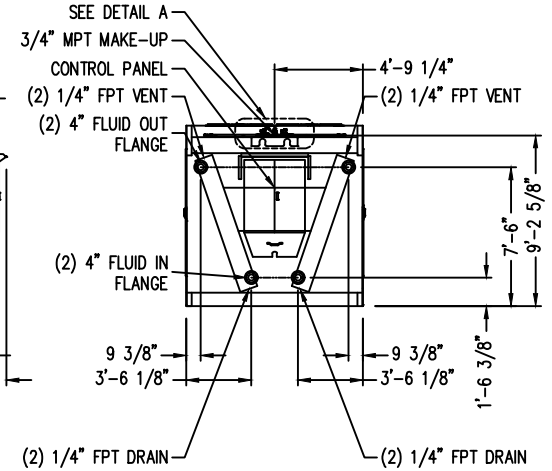
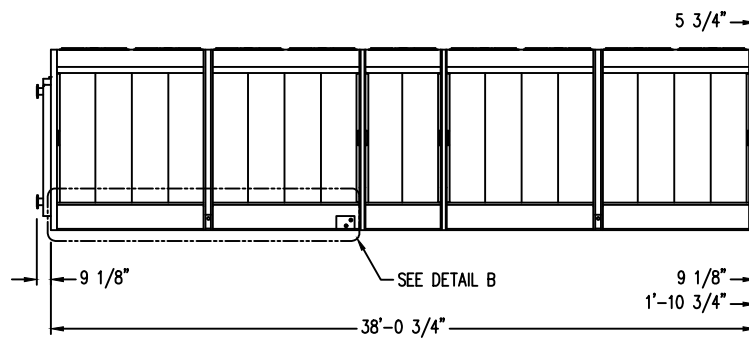
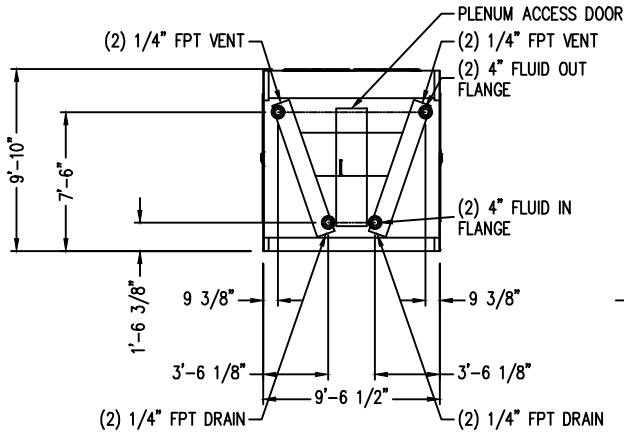
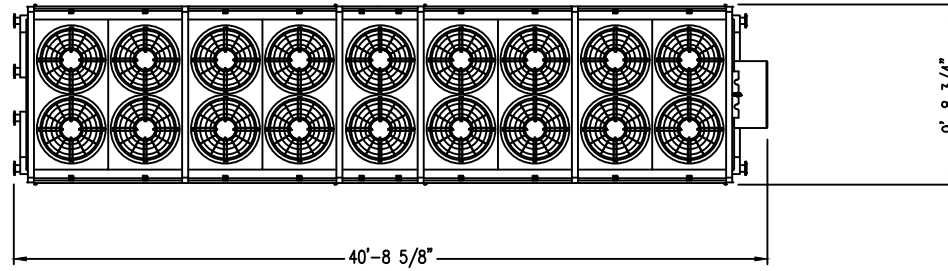
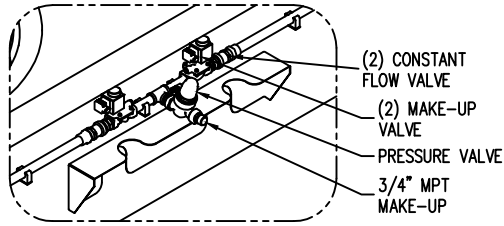
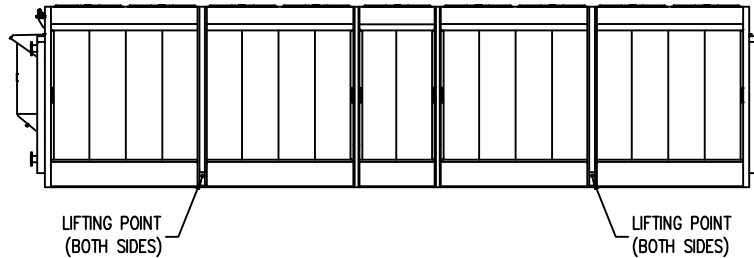


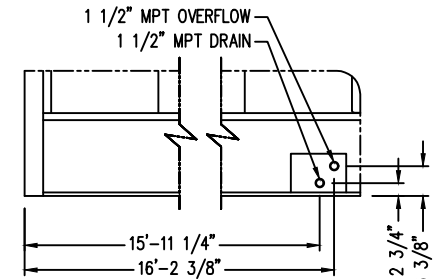
DETAIL A
(ISOMETRIC)



NOTE: COIL CONNECTIONS ON BOTH ENDS OF UNIT.



DETAIL B



Notes

- 1) All dimensions are in feet and inches. Weights are in pounds and include options and accessories.
- 2) Dimensions showing locations of coil & basin connections are approximate and should not be used for prefabrication of connecting piping.
- 3) For weight loadings and support requirements, refer to the suggested steel support drawing.
- 4) The area above the fan discharge must not be obstructed.
- 5) Field piping must not be supported by the unit inlet or outlet connections.

Model Number	Shipping Weight	Operating Weight	Heaviest Section
TRF-1038N-C60F*77E	20768	25056	20768
TRF-1038N-C80F*77E	22597	26026	22597

QUOTE NO:

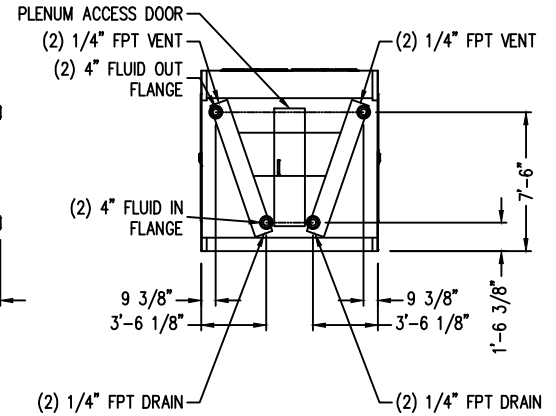
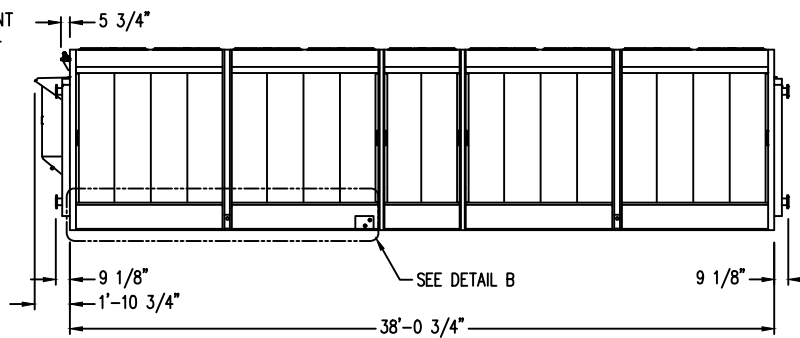
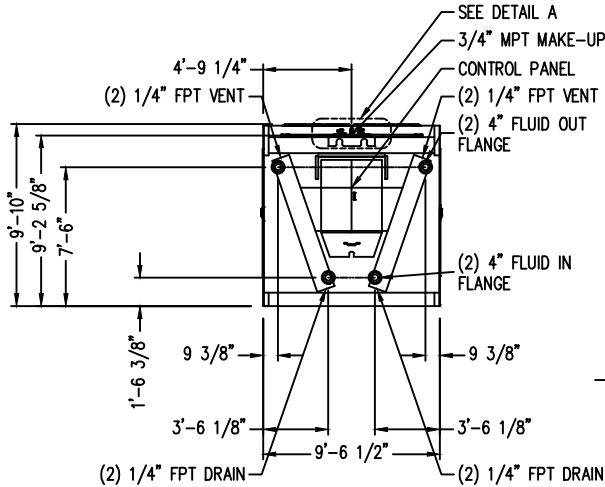
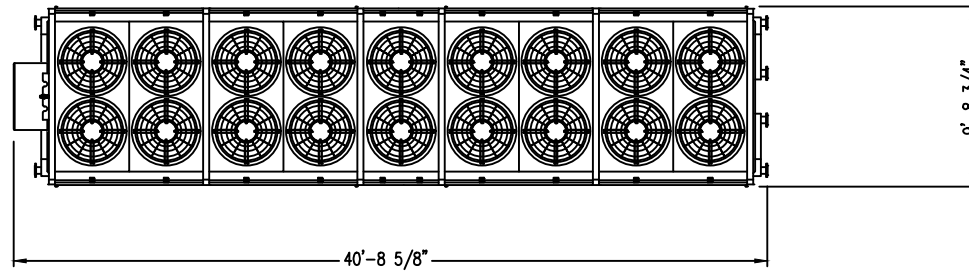
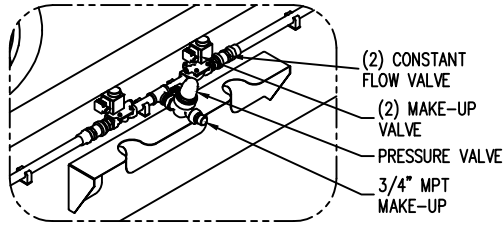
DATE: **7/9/2024 11:41:00 AM Revision=0**



TrilliumSeries™ Adiabatic Cooler
Eighteen Fan Unit Print

DRAWING NUMBER:

DETAIL A
(ISOMETRIC)



NOTE: COIL CONNECTIONS ON BOTH ENDS OF UNIT.

Notes

- 1) All dimensions are in feet and inches. Weights are in pounds and include options and accessories.
- 2) Dimensions showing locations of coil & basin connections are approximate and should not be used for prefabrication of connecting piping.
- 3) For weight loadings and support requirements, refer to the suggested steel support drawing.
- 4) The area above the fan discharge must not be obstructed.
- 5) Field piping must not be supported by the unit inlet or outlet connections.

Model Number	Shipping Weight	Operating Weight	Heaviest Section
TRF-1038N-C60F*77E	20768	25056	20768
TRF-1038N-C80F*77E	22597	26026	22597

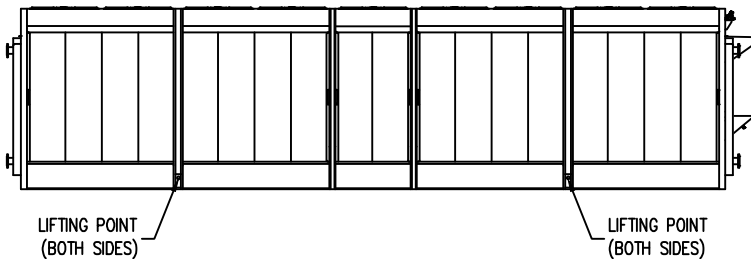
QUOTE NO:

DATE: **7/9/2024 12:04:45 PM Revision=0**



TrilliumSeries™ Adiabatic Cooler
Eighteen Fan Unit Print

DRAWING NUMBER:



DETAIL B

