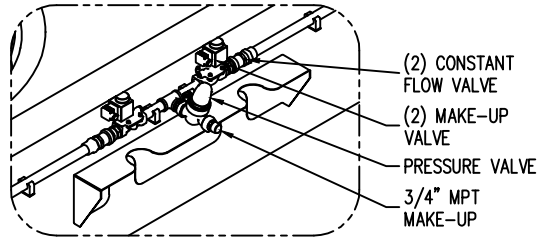
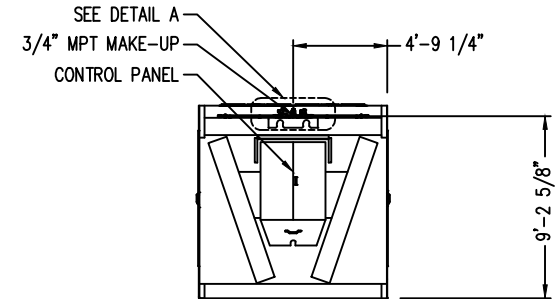
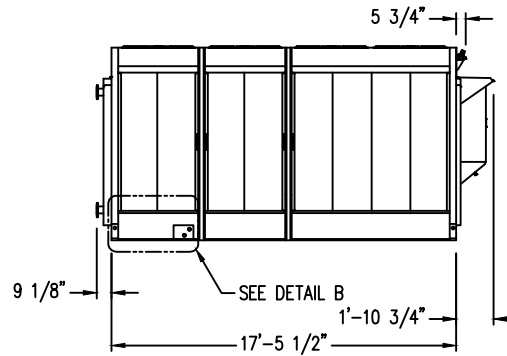
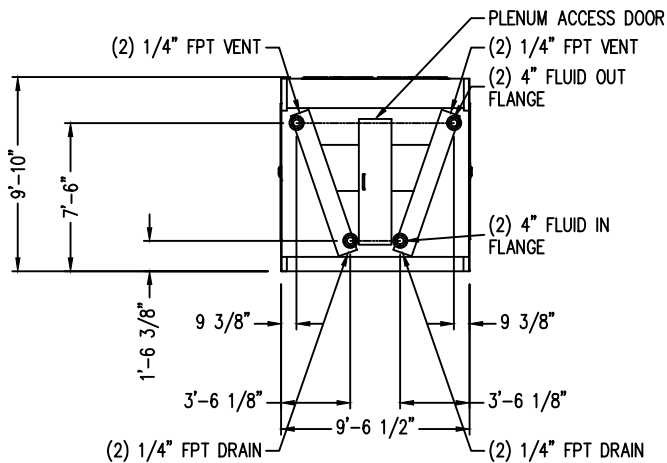
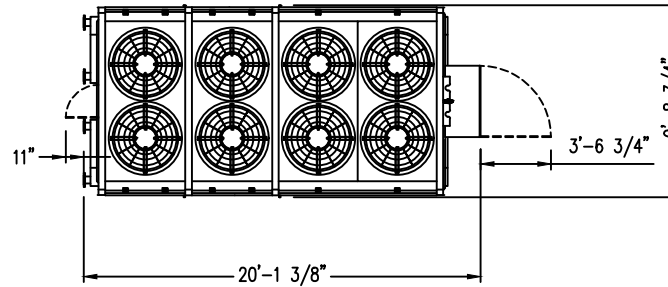


DETAIL A
(ISOMETRIC)

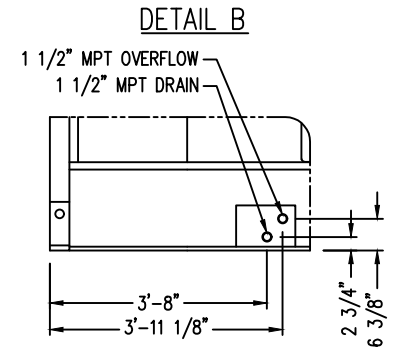
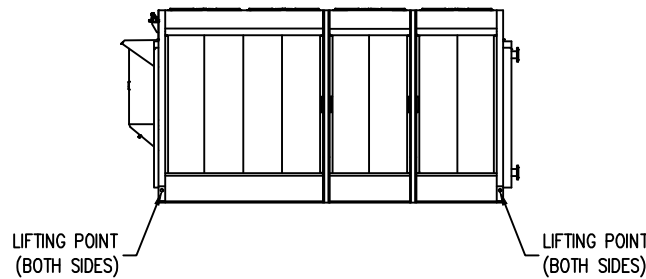


PLAN VIEW



Notes

- 1) All dimensions are in feet and inches. Weights are in pounds and include options and accessories.
- 2) Dimensions showing locations of coil & basin connections are approximate and should not be used for prefabrication of connecting piping.
- 3) For weight loadings and support requirements, refer to the suggested steel support drawing.
- 4) The area above the fan discharge must not be obstructed.
- 5) Field piping must not be supported by the unit inlet or outlet connections.



Model Number	Shipping Weight	Operating Weight	Heaviest Section
TRF-1018N-C60F*34E	11288	13382	11288
TRF-1018N-C80F*34E	12192	14672	12192

QUOTE NO:

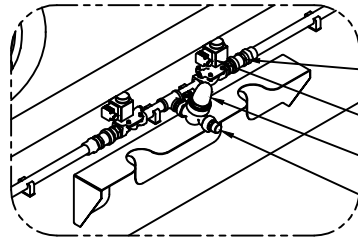
DATE: **7/9/2024 10:33:44 AM Revision=0**



TrilliumSeries™ Adiabatic Cooler
Eight Fan Unit Print

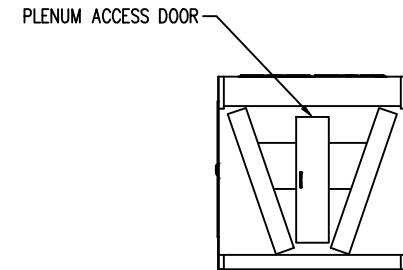
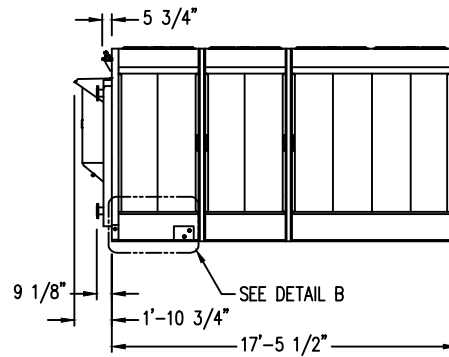
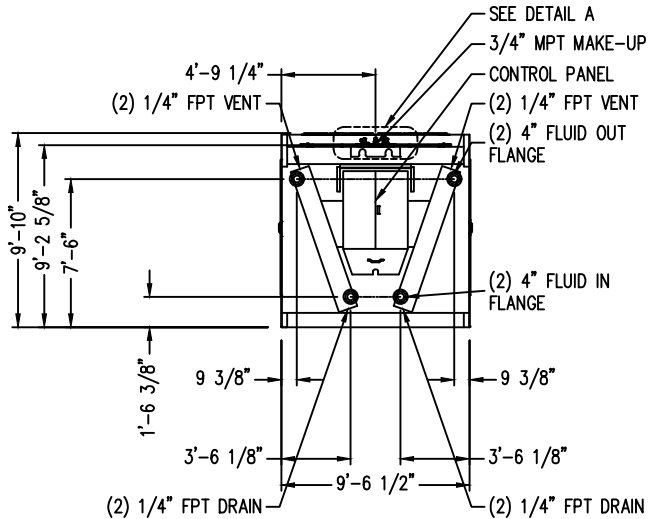
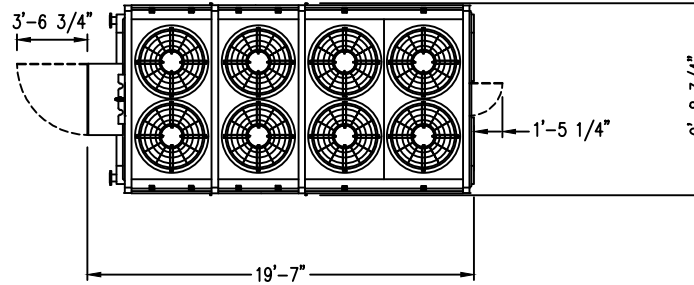
DRAWING NUMBER:

DETAIL A
(ISOMETRIC)



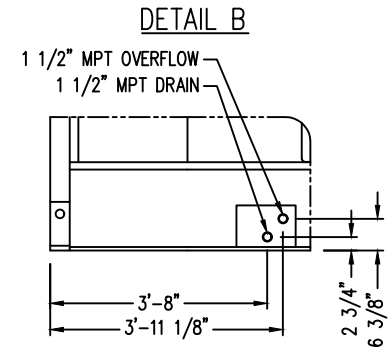
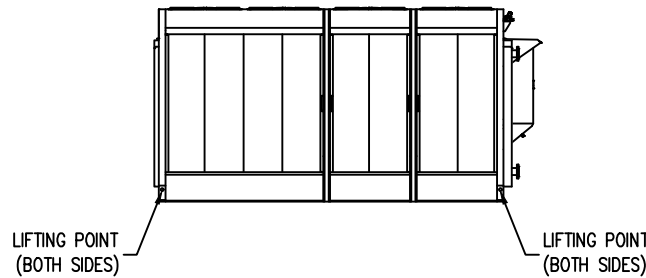
- (2) CONSTANT FLOW VALVE
- (2) MAKE-UP VALVE
- PRESSURE VALVE
- 3/4" MPT MAKE-UP

PLAN VIEW



- Notes**
- 1) All dimensions are in feet and inches. Weights are in pounds and include options and accessories.
 - 2) Dimensions showing locations of coil & basin connections are approximate and should not be used for prefabrication of connecting piping.
 - 3) For weight loadings and support requirements, refer to the suggested steel support drawing.
 - 4) The area above the fan discharge must not be obstructed.
 - 5) Field piping must not be supported by the unit inlet or outlet connections.

Model Number	Shipping Weight	Operating Weight	Heaviest Section
TRF-1018N-C60F*34E	11288	13382	11288
TRF-1018N-C80F*34E	12192	14672	12192



QUOTE NO:

DATE: **7/10/2024 12:01:47 PM Revision=0**



TrilliumSeries™ Adiabatic Cooler
Eight Fan Unit Print

DRAWING NUMBER: