

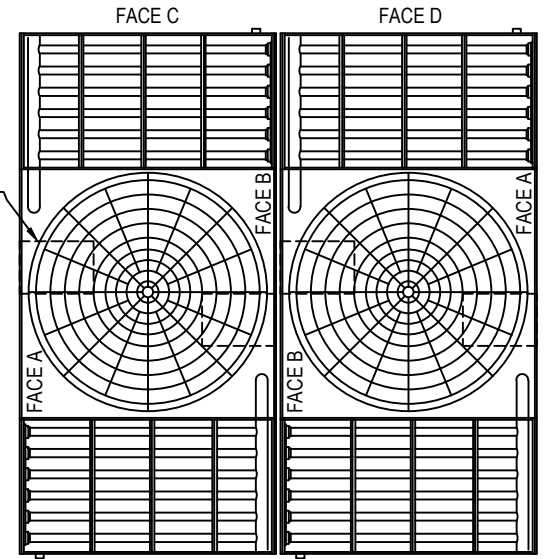
2014© Baltimore Aircoil Company. All Rights Reserved.

| Model Number | Operating Weight | SHIPPING WEIGHT (See Note 7) | | | | F | H | A | B |
|--------------------|------------------|------------------------------|---------------|----------------|--------------|--------|---------|-----------|------------|
| | | Total | Lower Section | Plenum Section | Coil Section | | | | |
| CXVT-1234-2424-30 | 124570 | 75042 | 13072 | 6145 | 9152 | 4'-4" | 18'-11" | 7'-4 3/4" | 16'-8 1/4" |
| CXVT-1300-2424-40 | 124570 | 75042 | 13072 | 6145 | 9152 | 4'-4" | 18'-11" | 7'-4 3/4" | 16'-8 1/4" |
| CXVT-1352-2424-50 | 124570 | 75042 | 13072 | 6145 | 9152 | 4'-4" | 18'-11" | 7'-4 3/4" | 16'-8 1/4" |
| CXVT-1400-2424-80 | 118416 | 69498 | 13072 | 6145 | 7766 | 3'-7" | 18'-11" | 7'-4 3/4" | 16'-8 1/4" |
| CXVT-1462-2424-100 | 118416 | 69498 | 13072 | 6145 | 7766 | 3'-7" | 18'-11" | 7'-4 3/4" | 16'-8 1/4" |
| CXVT-1508-2424-120 | 118416 | 69498 | 13072 | 6145 | 7766 | 3'-7" | 18'-11" | 7'-4 3/4" | 16'-8 1/4" |
| CXVT-1556-2424-100 | 124570 | 75042 | 13072 | 6145 | 9152 | 4'-4" | 18'-11" | 7'-4 3/4" | 16'-8 1/4" |
| CXVT-1626-2424-100 | 127088 | 77558 | 13072 | 6145 | 9781 | 3'-10" | 18'-11" | 7'-4 3/4" | 16'-7 1/4" |
| CXVT-1686-2424-120 | 127088 | 77558 | 13072 | 6145 | 9781 | 3'-10" | 18'-11" | 7'-4 3/4" | 16'-7 1/4" |
| CXVT-1774-2424-120 | 147778 | 95690 | 13092 | 6238 | 14257 | 6'-1" | 20'-7" | 9'-1" | 18'-2 1/2" |
| XECXVT1080-2424-20 | 118416 | 69498 | 13072 | 6145 | 7766 | 3'-7" | 18'-11" | 7'-4 3/4" | 16'-8 1/4" |
| XECXVT1210-2424-20 | 127088 | 77558 | 13072 | 6145 | 9781 | 3'-10" | 18'-11" | 7'-4 3/4" | 16'-7 1/4" |
| XECXVT1272-2424-20 | 147778 | 95690 | 13092 | 6238 | 14257 | 6'-1" | 20'-7" | 9'-1" | 18'-2 1/2" |
| XECXVT1368-2424-30 | 147778 | 95690 | 13092 | 6238 | 14257 | 6'-1" | 20'-7" | 9'-1" | 18'-2 1/2" |
| XECXVT1442-2424-40 | 147778 | 95690 | 13092 | 6238 | 14257 | 6'-1" | 20'-7" | 9'-1" | 18'-2 1/2" |
| XECXVT1500-2424-50 | 147778 | 95690 | 13092 | 6238 | 14257 | 6'-1" | 20'-7" | 9'-1" | 18'-2 1/2" |
| XECXVT1550-2424-60 | 147778 | 95690 | 13092 | 6238 | 14257 | 6'-1" | 20'-7" | 9'-1" | 18'-2 1/2" |

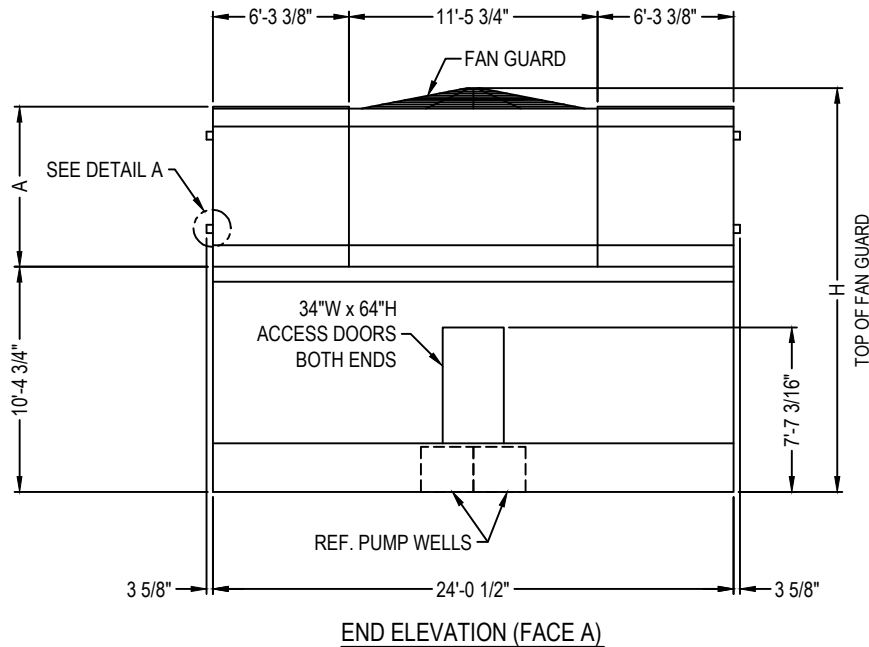
NOTES:

1. All dimensions are in feet and inches. Weights are in pounds.
2. Dimensions showing location of coil connections are approximate and should not be used for prefabrication of connecting piping.
3. As standard, coil connections are beveled for welding.
4. The area above the discharge of the fan must be unobstructed.
5. For weight loading and support requirements refer to the suggested steel support drawing.
6. Do not support piping from unit.
7. Weights shown for each section. Each model consists of two lower, two plenum, and four coil sections.

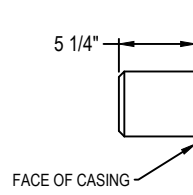
INTERNAL SPRAY PUMP (TYP.)



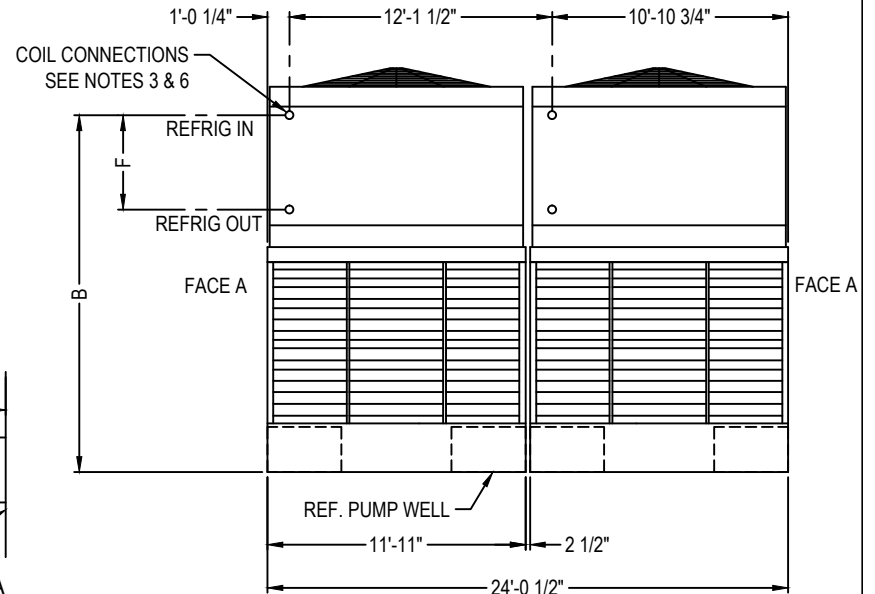
PLAN VIEW



TOP OF FAN GUARD



DETAIL A
(TYPICAL COIL CONNECTION)



SIDE ELEVATION (FACE D)

ORDER NO:

DATE:



BALTIMORE AIRCOIL COMPANY

**CXVT Evaporative Condenser Tabulated Unit Print
Single Side Connection**

DRAWING NUMBER:
CXVT-2424-TUP

Z