



VERTEX™

EVAPORATIVE CONDENSER



COUNTERFLOW // FORCED DRAFT // AXIAL FAN

Where Peak Reliability Meets Easy Maintenance

Introducing the Vertex™ Evaporative Condenser, where peak reliability meets easy maintenance. This new benchmark combines what you like most about legacy BAC evaporative condensers with new innovations for the future. The Vertex Condenser offers maximum uptime with easy and safe accessibility. It also has the lowest total cost of ownership with the lowest installation, maintenance, and operating costs.

BranchLok™ Removal System

No tools required to remove or inspect spray branches and nozzles, reducing maintenance costs. Faster cleaning makes peak energy efficiency easier to sustain.

Factory Pre-Assembled Platforms with Perimeter Handrails (Optional)

\$2,000 Savings Per Cell

Easy-to-install design for contractors and owners looking to reduce the cost of installation and ensure on-time commissioning. Safely inspect the nozzles across the entire unit with platforms at an ergonomic height.

Largest Access Door(s)

\$20,000 Lifetime Maintenance Savings

The largest access door (68" H x 20" W) is also safe with a sturdy step and safety handle. It's easy for a 6.5' tall person to enter and exit for service. (2nd door optional)

Internal Walkway

\$20,000 Lifetime Maintenance Savings

Stay dry while safely inspecting the basin with a sturdy internal walkway.

EC Fan System (Standard)

BALTDRIIVE® Power Train (Optional)

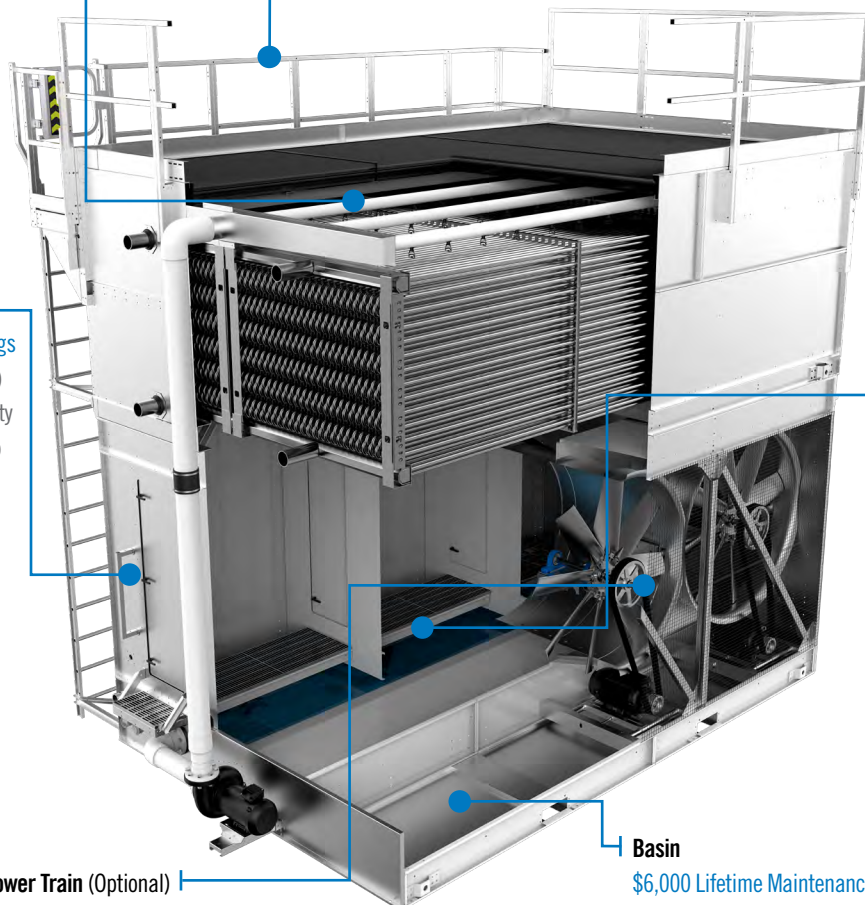
\$30,000 Lifetime Maintenance Savings

Reduce maintenance costs and maximize uptime with BAC's belt-driven independent fan system. It's the most serviceable, most robust, and most reliable in the industry.

Basin

\$6,000 Lifetime Maintenance Savings

The falling water on the high step of the basin causes turbulence and reduces cleaning requirements. The lower water volume reduces chemical and water volume by up to 30%. Lower operating weight may also allow upsizing on replacement projects, saving additional cost on steel support.





VERTEX™

EVAPORATIVE CONDENSER

BALTIDRIVE® POWER TRAIN

Reduce maintenance costs with BAC's redundant independent motor belt-drive system. It's the most serviceable, most robust, and most reliable in the industry. The design enhances repeatability, serviceability, and reliability, all leading to higher quality.

✓ Maximum Uptime & Reliability

Slimmer fan cowl and highest efficiency single-stage fans to reduce the number of moving parts

Internal partitions between fans allow for continuous operation

🛡️ Easy and Safe Accessibility

Easy access to bearings for quick service

Upgraded Motor Base: Multi-direction adjustment with a raised mount for easier serviceability

🔧 Lowest Maintenance Costs

Reduce maintenance costs and maximize uptime with BAC's **enhanced belt-driven independent fan system** that easily allows access to all drive components

Extended lubrication lines are standard for lubrication of the fan shaft bearings



MEDIUM TO LARGE
TONNAGE REQUIREMENTS

188-1,434 Nominal Tons
in a Single Unit

www.baltimoreaircoil.com/vertex



THE BALTIMORE AIRCOIL COMPANY DIFFERENCE

Access to best-in-class technology, the strength of our people and sales network, and the reliability of our products are reasons to partner with BAC. But ultimately, customers rely on us for our commitment to create custom solutions for their unique applications.



EXPERT SUPPORT



EXPERIENCED REPS



EXCEPTIONAL VALUE



EFFICIENT SOLUTIONS



PEACE OF MIND

